

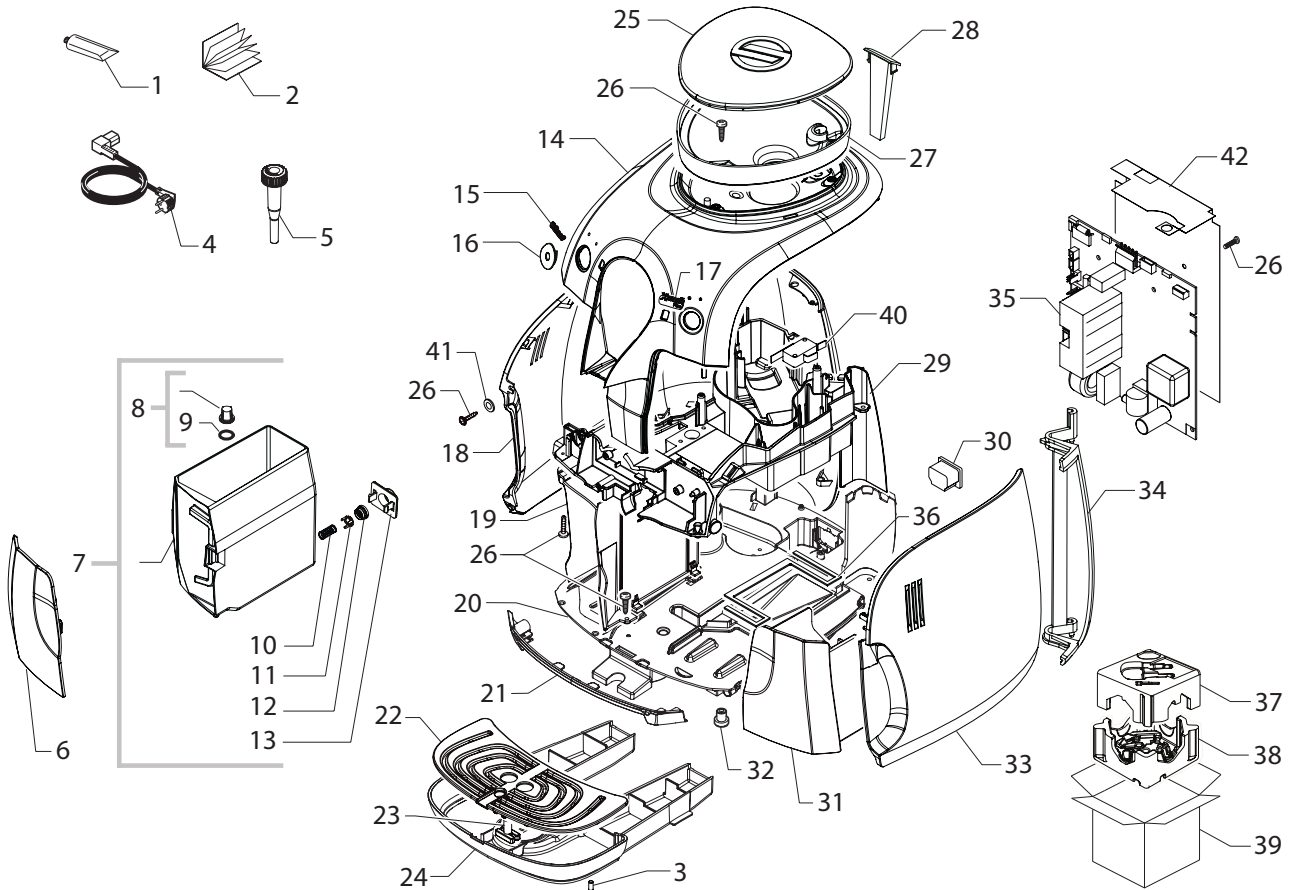
Saeco SUP033R
INTERNATIONAL GROUP



Cod.10002660-61-2738-10002780
Cod.10002781-2933-34-3020-21-22

POS	CODICE	DESCRIZIONE	NOTE
01	11005044	TUBETTO SAECO KLUBER TRIBOSTAR SIL 2 5GR	
02	15000994	LIBRETTO ISTRUZIONI P0057	
	15001790	LIBRETTO ISTRUZIONI P0057 JAP	
03	12001193	PIEDINO AD.D=19,1 H=4,1 RBS-44-CR TRASP.	
		FINO MATR.9008SR40105639	
04	183911050	CAVO AL.SCHUKO 3X1 H05VV-F NERO L=1200MM	
	183930650	CAVO AL.CH 3X1 H05VV-F NER.L=1200MM	
	183921950	CAVO AL.USA SJT3 UL 16AWG NERO L=1200	
	11004245	CAVO AL.BRA.H05VV-F 3X1,5 C/C.NER.L=1200	
	183980650	CAVO AL.JAP.VCTF 3X2 NERO L=1200 MM	
	183940650	CAVO AL.AUSTRAL.3X1 H05VV-F NERO L=1200	
05	11003785	CHIAVE REGOLAZIONE MACINATURA P0049 NER	
06	11006331	COPERT.ANT.CONT.ACQUA P0057 ROSSO	
	11005756	COPERT.ANT.CONT.ACQUA P0057 VERN.ARGEN	
07	11006058	AS.CONTENIT.ACQUA P0057 GRINAT.	
08	224640200	AS.FILTRO ESTERNO X CONTENITORI ACQUA	
09	140328461	OR METRICO 0190-10 IN EPDM	
10	11003672	MOLLA CILINDRICA X VALV.CONT.ACQUA P0049	
11	11003673	INSERTO X VALV.CONTEN.ACQUA P0049 GRIGIO	
12	11003671	VALVOLA X CONTENIT.ACQUA P0049 TRASP.	
13	11001298	COPERCHIO X VALVOLA DUCKBILL P0049 NERO	
14	11010606	COPERT.SUP.CARC.P0057 ROS.SER.	
	11006222	COPERT.SUP.CARC.P0057 ARG.SER.	
15	11011406	PIAST.ADES.C/LOGO SAECO P0057 ARGENTO	
16	11006066	TAPPO COP.SUP.CARC.C/F.P0057 ROSSO	
	11010038	TAPPO COP.SUP.CARC.C/F.P0057 VER.ARG	
17	11011407	PIAST.ADES.C/LOGO XSMALL STEAM ARGENTO	
	11011408	PIAST.ADES.C/LOGO XSMALL PLUS ARGENTO	
18	11006068	COPERTURA LAT.SX P0057 BIANCO	
	11004141	COPERTURA LAT.SX P0057 VERN.MEZZANOTTE	
19	11007082	INSERTO FONDO CARCASSA P0057 NERO	
20	11003741	FONDO CARCASSA P0057 NERO	
		FINO MATR.9008SR40105639	
	11012695	FONDO CARCASSA V2 P0057 NERO	
		DA MATR.9008SR40105640	
21	11006100	INSERTO FRONTALE INF.P0057 ROSSO	
	11004106	INSERTO FRONTALE INF.P0057 VERN.ARGENTO	
22	11005727	GRIGLIA VASCA RECUP.ACQ.P0057 VERN.ARG.	
23	11012039	GALLEG.VASCA RECUP.ACQUA P0057 ROSSO	
24	11003735	VASCA RECUPERO ACQUA P0057 NERO	
		FINO MATR.9008SR40105639	
	11012694	VASCA RECUPERO ACQUA V2 P0057 NERO	
		DA MATR.9008SR40105640	

POS	ART. NR.	DESIGNATION	NOTA
01	11005044	TUBE DE GRAISSE SILICONE 5GR	
02	15000994	MODE D'EMPLOI P0057	
	15001790	LIBRET.ISTRUZIONI P0057 JAP	
03	12001193	PIED TRANSPARENT ADHESIF RBS 44 CR	
		JUSQU' A M.9008SR40105639	
04	183911050	CABLE ALIMENTATION L=1200	
	183930650	CABLE.CH BLACK 3X1 H05VV-F L=1200	
	183921950	CABLE ALIM.USA SJT3 UL L=1200	
	11004245	CABLE ALIM. BRA.H05VV-F 3X1,5 C/C	
	183980650	CABLE ALIM.AP.VCTF 3X2 L=1200	
	183940650	CABLE ALIM. AUSTRAL.H05VV-F 3X1 N	
05	11003785	CLEF DE REGLAGE P0049	
06	11006331	FACADE BAC A EAU ROUGE P0057	
	11005756	FACADE BAC A EAU ARGENT P0057	
07	11006058	ENSEMBLE BAC A EAU P0057	
08	224640200	FILTRE EXT.POUR BACS A EAU	
09	140328461	JOINT OR 0190-10 EPDM	
10	11003672	RESSORT DE BAC A EAU	
11	11003673	INSERT DE VALVE	
12	11003671	VALVE DE BAC EAU	
13	11001298	COUVERCLE DE VALVE	
14	11010606	COQUE SUPERIEURE ROUGE P0057	
	11006222	COQUE SUPERIEURE ARGENT P0057	
15	11011406	LOGO ADHESIF SAECO P0057	
16	11006066	CAPUCHON ROUGE P0057	
	11010038	CAPUCHON ARGENT P0057	
17	11011407	LOGO ADHESIF XSMALL STEAM	
	11011408	LOGO ADHESIF LOGO XSMALL PLUS	
18	11006068	COUVER.DE COTE GAUCHE BLANC P0057	
	11004141	COUVER.DE COTE GAUCHE ANTH. P0057	
19	11007082	INSERT P0057	
20	11003741	CHASSIS NOIR INFERIEUR P0057	
		JUSQU' A M.9008SR40105639	
	11012695	CHASSIS NOIR INFERIEUR V2 P0057	
		A PARTIR N.9008SR40105640	
21	11006100	INSERTION ROUGE INFERIEURE P0057	
	11004106	INSERTION ARGENT INFERIEURE P0057	
22	11005727	GRILLE ARGENT P0057	
23	11012039	FLOTTEUR ROUGE	
24	11003735	BAC DE RECUPERATION P0057	
		JUSQU' A M.9008SR40105639	
	11012694	BAC DE RECUPERATION V2 P0057	
		A PARTIR N.9008SR40105640	

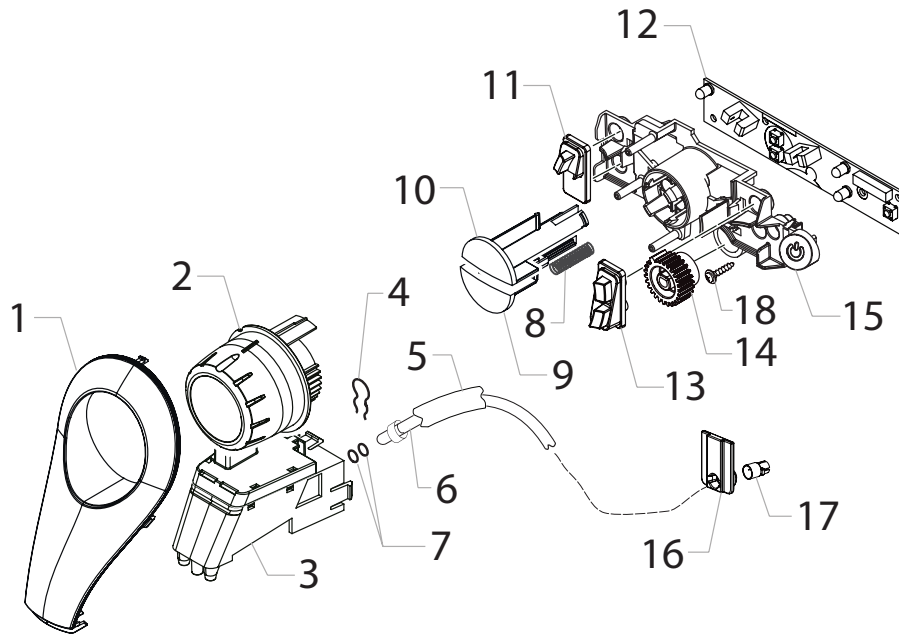


Saeco SUP033R
INTERNATIONAL GROUP



Cod.10002660-61-2738-10002780
Cod.10002781-2933-34-3020-21-22

POS	CODICE	DESCRIZIONE	NOTE	POS	ART. NR.	DESIGNATION	NOTA
25	11004123	COPERC.CONT.CAFFE' GRANI P0057 GR/NAT.		25	11004123	COUVERCLE BAC A CAFE P0057	
26	12000450	VITE TCRB 3,5X12 PLAST.ZN-N		26	12000450	VIS TCRB 3,5X12 PLAST.ZN-N	
27	11004125	CONTENTIT.CAFFE' GRANI P0057 GR/NAT.		27	11004125	BAC A GRAIN P0057	
28	11006063	PIASTRINA X INFRAROSSI P0057 TRASPARENTE		28	11006063	PLAQUE INFRAROUGE TRANSPAR. P0057	
29	11003755	PIASTRA SUPPORTO MACINACAFFE' P0057 NERO		29	11003755	PLAQUE DE MOULIN P0057	
30	12000280	PRESA A VASCHETTA C/SMUSSI EN 60320 C 13		30	12000280	SOCLE DE PRISE EN 60320 C 13	
31	11006057	CASSET.RACCOGLI FONDI P0057 ROSSO		31	11006057	BAC A MARC ROUGE P0057	
	11004105	CASSET.RACCOGLI FONDI P0057 VERN.ARGEN.			11004105	BAC A MARC GRIS ARGENT P0057	
32	147622800	PIEDINO PIANETA CAFFE' TRASPARENTE		32	147622800	PIED TRANSPARENT	
33	11004130	SPORTELLO P0057 BIANCO		33	11004130	PORTE BLANCHE P0057	
	11004138	SPORTELLO P0057 VERN.MEZZANOTTE			11004138	PORTE GRIS ANTHRACITE P0057	
34	11004139	CERNIERA SPORTELLO P0057 NERO		34	11004139	CHARNIERE DE PORTE NOIRE P0057	
35	11012246	AS.CPU+SW P0057 XSMALL V1 LAC	230V	35	11012246	ENSEMBLE CPU+SW P0057-XSMALL V1	230V
	11011209	FINO MATR.9008SR40139106			11011209	JUSQU' A M.9008SR40139106	
	11011209	AS.CPU+SW P0057 XSMALL V1	230V		11011209	ENSEMBLE CPU+SW P0057 XSMALL V1	230V
	11011209	DA MATR.9008SR40139107			11011209	A PARTIR M.9008SR40139107	
	11006345	AS.CPU+SW P0057 XSMALL V1	100V-120V		1006345	ENSEMBLE CPU+SW P0057 XSMALL V1	100V-120V
36	11012102	AERSTOP MONOADESIVO SP=1,6 MM P0057		36	11012102	ADHESIF DE LIAISON SP=1,6 MM	
37	13000460	INSERTO SUPERIORE SCATOLA P0057 PS-E		37	13000460	INSERT SUPERIEUR PSE P0057	
38	13000461	INSERTO INFERIORE SCATOLA P0057 PS-E		38	13000461	INSERT INFERIEUR PSE 0057	
39	13000462	SCATOLA LITOGRAFATA P0057		39	13000462	CARTON EMBALLAGE PSE P0057	
40	NE05.013	MICROINTERRUTTORE		40	NE05.013	MICROSWITCH	
41	128382002	ROND.PIANA DI=3,7 DE=11 SP=0,8 ZINC		41	128382002	RONDELLE DI=3,7 DE=11 SP=0,8	
42	11012301	PROTEZIONE SCHEDA PWR/CPU P0057 NERO		42	11012301	PROTECTION DE CARTE ELECTRONIQUE	

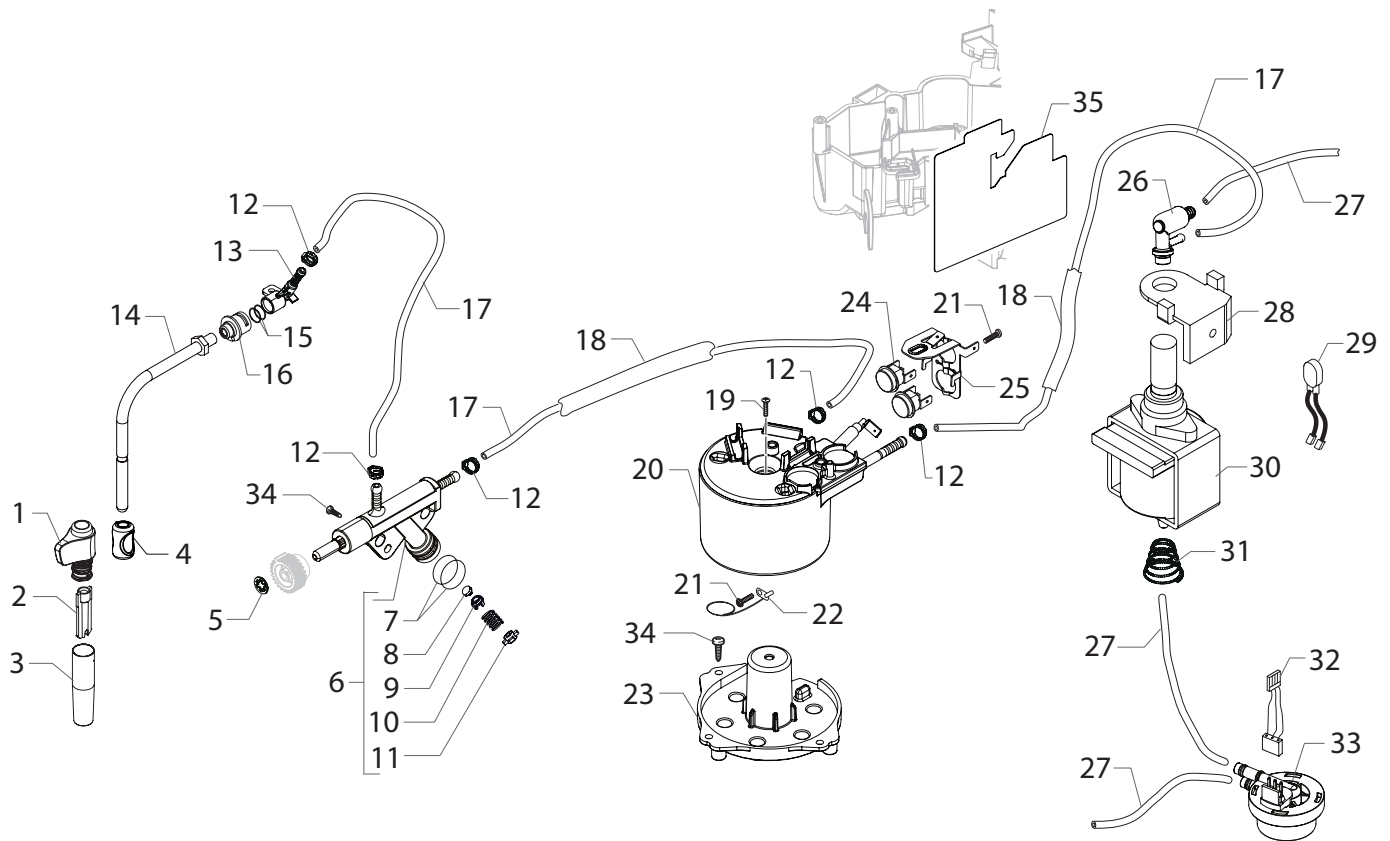


Saeco SUP033R
INTERNATIONAL GROUP



Cod.10002660-61-2738-10002780
Cod.10002781-2933-34-3020-21-22

POS	CODICE	DESCRIZIONE	NOTE	POS	ART. NR.	DESIGNATION	NOTA
01	11007081	COPERT.POMELLO COMANDI P0057 NER.SER.		01	11007081	COUVERCLE DE SELECTEUR NOIR P0057	
02	11012310	POMELLO COMANDI P0057 NERO SER.		02	11012310	BOUTON DE SELECTEUR P0057	
03	11011280	AS.EROGATORE CAFFE' SALD.P0057 NERO		03	11011280	ENSEMBLE DIFFUSEUR CAFE	
04	9011.144	FORCELLA X TUBO D.4		04	9011.144	AGRAFE DE TUYAU D.4	
05	149361200	TUBO SILICONE NERO 7,5X9,3	IN MATASSA	05	149361200	TUBE SILICONE NOIR 7,5X9,3	IN ROLL
06	11004132	AS.TUBO TEFLON 2X4 L=250MM+1BOC.DIST13MM		06	11004132	TUBE TEFLON 2X4 L=250 MM ASSY	
07	140328059	OR 2015 IN SILICONE PTFE/FDA		07	140328059	JOINT OR 2015 SILICONE PTFE/FDA	
08	11008956	MOLLA X SERRATURA SPORTELLO G0053 INOX		08	11008956	RESSORT DE PORTE	
09	11010035	TASTO CAFFE' P0057 NER.SER.TAZZA GRANDE		09	11010035	BOUTON GRANDE TASSE P0057	
10	11006064	TASTO CAFFE' P0057 NER.SER.TAZZA PICCOLA		10	11006064	BOUTON PETITE TASSE P0057	
11	11013011	GUIDA LUCE SX P0057 PMMA TRASPARENTE		11	11013011	GUIDE LUMIERE GAUCHE TRANSP. P0057	
12	11004104	SCHEDA KYB XSMALL P0057		12	11004104	CLAVIER XSMALL P0057	
13	11013012	GUIDA LUCE DX P0057 PMMA TRASPARENTE		13	11013012	GUIDE LUMIERE DROIT TRANSPAR. P0057	
14	11004120	INGRANAGGIO Z=26 VAPORE/ACQUA P0057 NER.		14	11004120	ROUE VAPEUR/EAU Z=26 P0057	
15	11012385	TASTIERA COMANDI V2 P0057/B-C VERN.ARG.		15	11012385	TOUCHE V2 P0057/B-C	
16	11005100	PIASTRINA X BOCCOLA TUBO TEFLON 4X2 P124		16	11005100	PLAQUE 4X2 POUR TUBE TEFLON P124	
17	11005101	BOCCOLA X TUBO TEFLON 4X2 P124		17	11005101	DOUILLE 4X2 TEFLON TUBE P124	
18	12000450	VITE TCBR 3,5X12 PLAST.ZN-N		18	12000450	VIST TCBR 3,5X12 PLAST.ZN-N	

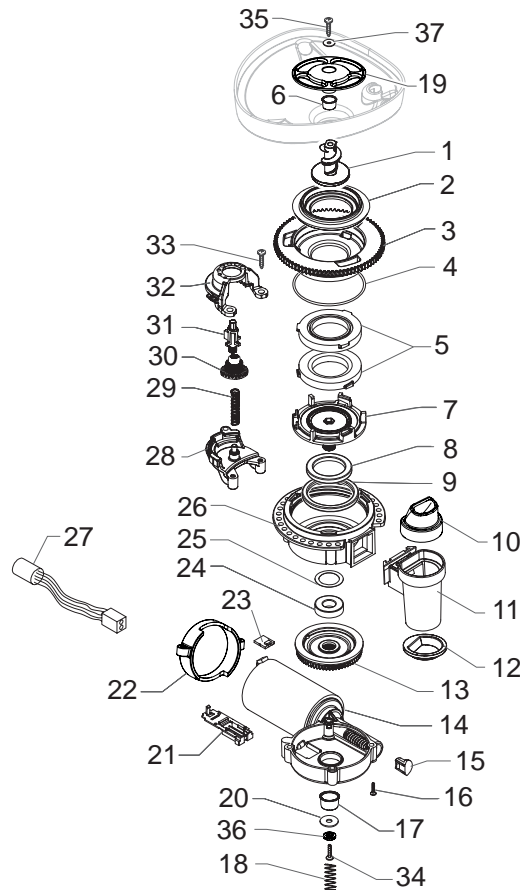


Saeco SUP033R
INTERNATIONAL GROUP



Cod.10002660-61-2738-10002780
Cod.10002781-2933-34-3020-21-22

POS	CODICE	DESCRIZIONE	NOTE	POS	ART. NR.	DESIGNATION	NOTA
01	11007194	IMPUGNATURA TUBO VAPORE G0053 NERO		01	11007194	EMBOUT TUBE VAPEUR G0053	
02	11001620	CANOTTO INT.PANNARELLO P0049 NERO		02	11001620	CANAL INTERIEUR PANNARELLO	
03	11001769	COPERTURA PANNARELLO P0049 NERO		03	11001769	COUVERCLE PANNARELLO	
04	11008991	IMPUGNATURA TUBO VAPORE P604 NERO		04	11008991	EMBOUT VAPEUR NOIR P604	
05	128210600	RONDELLA ELASTICA X ALBERI D=6 MM		05	128210600	RONDELLE	
06	11012381	RUB.REGOLATORE FLUSSO ACQ/VAP.V2 P0057		06	11012381	ROBINET P0057	
07	12000893	OR METRICO 0120-20 IN EPDM		07	12000893	JOINT OR METRIC 0120-20 EPDM	
08	11008104	VALVOLA A FUNGO REGOLAT.DI FLUSSO P0057		08	11008104	LAMELLE DE VALVE P0057	
09	11008105	SUPP.VALVA FUNGO REGOL.DI FLUSSO P0057		09	11008105	SUPPORT DE VALVE ROBINET P0057	
10	11008077	MOLLA VALVOLA REGOLAT.DI FLUSSO P0057		10	11008077	RESSORT DE VALVE P0057	
11	11008106	TAPPO VALVA FUNGO REGOL.DI FLUSSO P0057		11	11008106	CAPUCHON DE VALVE P0057	
12	12000892	FASCETTA OETIKER D=9,5 16700004		12	12000892	AGRAFE OETIKER D=9,5 16700004	
13	11005757	SUPPORTO TUBO VAPORE P0057		13	11005757	SUPPORT TUBE VAPEUR P0057	
14	11005758	AS.TUBO VAPORE+DADO P0057 OT/CROM.TF		14	11005758	ENSEMBLE TUBE VAPEUR P0057	
15	140324461	OR ORM 0060-20 IN TERMOIL		15	140324461	JOINT OR ORM 0060-20 TERMOIL	
16	11011127	BOCCOLA TUBO VAPORE P0057 PA6 NERO		16	11011127	RACCORD P117	
17	16000380	TUBO SIL.RETINATO 5X8,9 REHAU	IN MATASSA	17	16000380	TUBE SILICONE 5X8,9	EN ROULEAU
18	16000540	TUBO SILICONE 10,5X12,3 TRASP.	IN MATASSA	18	16000540	TUBE SILICONE 10,5X12,3	EN ROULEAU
19	129932502	VITE TCEI 5X30 PLAST.ZN-B		19	129932502	VIS TCEI 5X30 PLAST.ZN-B	
20	11011341	AS.CALD.TUB.V4	230V-1300W	20	11011341	CHAUDIERE TUBUL. / V4 ASSY.	230V-1300W
	11011342	AS.CALD.TUB.V4	120V-1300W		11011342	CHAUDIERE TUBUL. / V4 ASSY.	120V-1300W
	11011346	AS.CALD.TUB.V4	100V-1100W		11011346	CHAUDIERE TUBUL. / V4 ASSY.	100V-1100W
21	129573202	VITE TCB M4X8 AUTOFORMANTE ZN-B		21	129573202	VIS TCB TORX 20 M4X8 AUTOFORM. ZN-B	
22	190800100	SENSORE TEMPERATURA NTC ULL=280MM		22	190800100	SONDE TEMPERATURE NTC ULL=280MM	
23	11003752	SUPPORTO CALDAIA P0057 NERO		23	11003752	SUPPORT CHAUDIERE P0057	
24	189428600	TERMOSTATO 175° 1NT-08L-5125		24	189428600	THERMOSTAT 175° 1NT-08L-5125	
25	11007907	MOLLA X TERMOSTATI CALD.TUBOL.V5 ACC.		25	11007907	PINCE DE THERMOSTAT CHAUDIERE	
26	11010166	AS.VALV.DI SICUREZZA 16-18 BAR V2 P0049 AS.		26	11010166	VANNE DE SECUR.16-18 BAR V2 P0049 AS.	
27	JS01.022	TUBO SILICONE 5X10 60 SHORE	IN MATASSA	27	JS01.022	TUBE SILICONE 5X10	EN ROULEAU
28	149205850	SUPPORTO POMPA TYP ULKA C/SMUSSO NERO		28	149205850	SUPPORT POMPE ULKA	
29	11009747	AS.CONNETTORE 2POLI POMPA P0057 UL		29	11009747	CONNECT. DE POMPE 2 POLES P0057 UL	
30	12000140	POMPA ULKA EP5/S GW	230V-50HZ	30	12000140	POMPE ULKA EP5/S GW	230V-50HZ
	12000142	POMPA ULKA EAP5/S	120V-60HZ		12000142	POMPE ULKA EAP5/S	120V-60HZ
	12000130	POMPA ULKA EP5/S GW	100V-50/60HZ		12000130	POMPE ULKA EP5/S GW	100V-50/60HZ
	12000167	POMPA ULKA EP5/S GW	240V-50HZ		12000167	POMPE ULKA EP5/S GW	240V-50HZ
31	11004220	MOLLA SUPPORTO POMPA P0057		31	11004220	RESSORT POMPE P0057	
32	11005948	AS.CONNETTORE 3 POLI TURBINA P0057		32	11005948	CONNECT. DEBITMETRE 3 POLES P0057	
33	NV99.099	AS.TURBINA D=1,2 932-8521/00		33	NV99.099	DEBITMETRE D=1,2 932-8521/00	
34	12000450	VITE TCBR 3,5X12 PLAST.ZN-N		34	12000450	VIS TCBR TORX 10 3,5X12 PLAST.GALVAN.	
35	11012323	PROT.ISOL.SP=0,55 SCHEDA PWR P0057 NOMEX		35	11012323	PROTECTION PARTIE PUISSANCE	

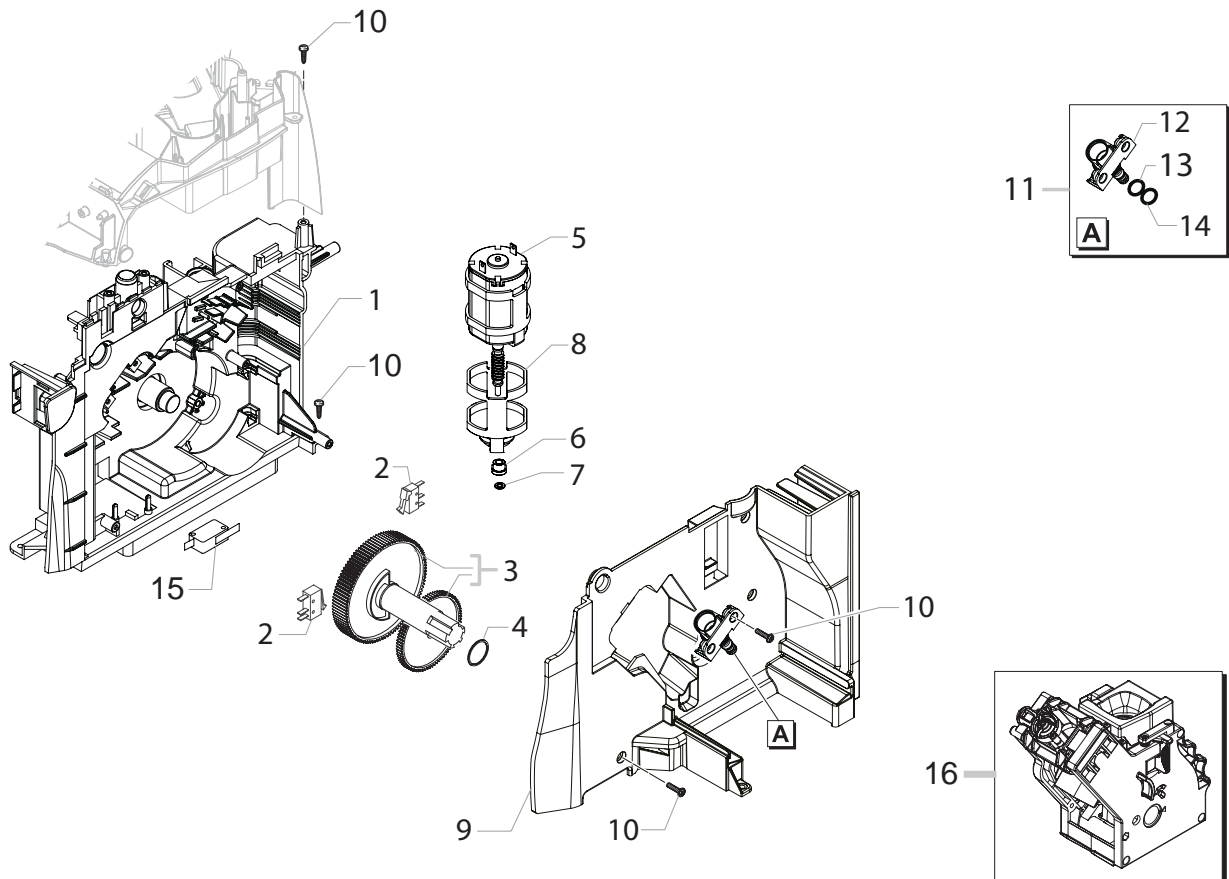


Saeco SUP033R
INTERNATIONAL GROUP



Cod.10002660-61-2738-10002780
Cod.10002781-2933-34-3020-21-22

POS	CODICE	DESCRIZIONE	NOTE	POS	ART. NR.	DESIGNATION	NOTA
01	11010031	VITE DI INCREMENTO CORTA MC ZAMA/TEA		01	11010031	VIS D'ENTRAINEMENT CAFE COURT	
02	145857062	GUARNIZIONE MACINACAFFE' P119 SILIC.		02	145857062	JOINT DE MOULIN P119	
03	149198250	SUPPORTO SUP.MACINA MACINACAFFE V3 NERO		03	149198250	SUPPORT SUPERIEUR MEULE	
04	140328960	OR METRICO 0530-15 IN NBR FDA		04	140328960	JOINT OR 0530-15	
05	146520100	MACINA 48X28 IN CERAMICA		05	146520100	MEULE 48x28 EN CERAMIQUE	
06	11012466	BOCC.PROT.DITO CONT.CAFF.GRANI P0057 OTT		06	11012466	RONDELLE PROTECT. POUR LES DOIGTS	
07	149198350	SUPPORTO INF.MACINA MACINACAFFE V3 NERO		07	149198350	SUPPORT INFERIEUR MEULE	
08	123030300	CUSCINETTO ASSIALE EKKO 342.35252		08	123030300	COUSSINET AXIAL EKKO 342.35252	
09	140360500	ANELLO IN FELTRO DE=45,4 DI=39,4H=4		09	140360500	ANNEAU FEUTRE 45,4X39,4X4	
10	11006226	CONVOGLIAT.CONDENSE GRUP.CAF.P0057 NER		10	11006226	CONVOYEUR P0057	
11	11012564	AS.CONVOGL.USCITA CAF.MACIN.V2 SMART1NER		11	11012564	CONVOYEUR CAFE	
12	145854462	GUARNIZ INF.CONT.CAFFE' MACINATO SMART1		12	145854462	GARNITURE	
13	226000300	AS.ING.SX Z=38 X MOVIM.MACINA C/CALAMITA		13	226000300	ENGRENAGE MOTEUR MOUTURE	
14	11000513	AS.MOTORE MC/V3.1 MOD=1,25 SX DOMEL	230V	14	11000513	MOTEUR MOUTURE V3.1 DOMEL	230V
	11000511	AS.MOTORE MC/V3.1 MOD=1,25 SX	120V		11000511	MOTEUR MOUTURE V3.1 DOMEL	120V
	11000512	AS.MOTORE MC/V3.1 MOD=1,25 SX	100V		11000512	MOTEUR MOUTURE V3.1 DOMEL	100V
15	149214800	TAPPO CENTRAG.VITE S/FINE MOD=1,25 MC/V3		15	149214800	BOUCHON VIS MC/V3 CENTRING	
16	129661702	VITE TCB 3,5X30 PLAST.ZN-B		16	129661702	VIS TCB TORX 3,5X30 PLAST.ZN-B	
17	11002873	BOCCOLA ISOLANTE X MOTORE MC P124 NERA		17	11002873	RONDELLE ISOLATION MOTEUR P124	
18	11000597	MOLLA DI SUPPORTO MOTORE MC P124 ACC.		18	11000597	RESSORT SUPPORT MOULIN	
19	11012237	PROTEZ.DITO CONT.CAFF.GRANI P0057 NERO		19	11012237	PROTECTION POUR LES DOIGTS	
20	128381902	RONDEL.PIANA DI=4,3 DE=14 SP=1,5 AC/ZINC		20	128381902	RONDELLE.DI=4,3 DE=14 SP=1,5	
21	149199050	SUPPORTO SENSORE TERMICO X MOTORE MC		21	149199050	SUPPORT SENSURE	
22	11000194	SUPPORTO MOTORE MACINACAFFE' P124 NERO		22	11000194	SUPPORT MOULIN	
23	181540900	BAS.ELET.C/SENSORE HAL.506 SF-K C/CONNET		23	181540900	PLATINE ELECTRONIQUE + SENSURE	
24	123030200	CUSCINETTO RADIALE 61900.2RS1		24	123030200	COUSSINET 61900.2RS1	
25	128381800	RONDELLA DI BILANCIAMENTO 21,8X14X0,25		25	128381800	RONDELLE DE BALANCEM. 21,8x14x0,25	
26	142905450	CORPO SUP.C/USCITA CAF.MACINATO MC NERO		26	142905450	CORPS SUPERIEUR MEULE	
27	11008871	AS.CONNET.3POLI SENSORE/MC S0053 UL		27	11008871	3 POLES CONNEX. MC SENSOR S0053 UL	
28	11002613	SUPPOR.INF.INGR.REGOL.MACINAT.P124 NERO		28	11002613	SUPPORT INF ENGRENAGE	
29	11002572	MOLLA REGOLAZIONE MACINACAFFE' P124 ACC.		29	11002572	RESSORT DE REGUL. MOULIN CAFE P124	
30	11003784	INGRAN.Z=14-24 REGOL.MACIN.CAF.P0049 NER		30	11003784	ENGRENAGE Z=14-24	
31	11003446	INSERTO X REGOLAZIONE MACINAT.P0049 NERO		31	11003446	INSERT DE REGULATION P0049	
32	11002508	SUPPOR.SUP.INGR.REGOL.MACINAT.P124 NERO		32	11002508	ROUE AJUSTEMENT	
33	129914002	VITE TCB 3,5X16 PLAST.ZN-B		33	129914002	VIS TCB TORX 10 3,5X16 PLAST.ZN-B	
34	129574802	VITE TCB M4X30 ZN-B		34	129574802	VIS TCB M4X30 ZN-B	
35	U043.004	VITE TCBC M4,0X16 UNI 7687 ZNP		35	U043.004	VIS TCBC M4,0X16 UNI7687 GALV.	
36	128310402	ROSETTA UNI 8842 A4 ZINCATA		36	128310402	RONDELLE UNI 8842 A4 GALV.	
37	128140302	ROSETTA 4,3X9 UNI 6592 ZNP		37	128140302	RONDELLE 4,3X9 UNI 6592 ZNP	
	11006059	AS.GEN.MOTORE MACINACAF.P0057 STD	230V		11006059	ENSEMBLE MOULIN P0057	230V
	11012319	AS.GEN.MOTORE MACINACAF.P0057 ITA	230V ITA		11012319	ENSEMBLE MOULIN P0057	230V ITA
	11013028	AS.GEN.MOTORE MACINACAF.P0057	120V		11013028	ENSEMBLE MOULIN P0057	120V
	11013029	AS.GEN.MOTORE MACINACAF.P0057	100V		11013029	ENSEMBLE MOULIN P0057	100V



Saeco SUP033R
INTERNATIONAL GROUP

CE Cod.10002660-61-2738-10002780
Cod.10002781-2933-34-3020-21-22

POS	CODICE	DESCRIZIONE	NOTE	POS	ART. NR.	DESIGNATION	NOTA
01	11006067	AS.PIASTRA MONTAGGIO MOTORI.P0057 NERO		01	11006067	PLAQUE DE MONTAGE P0057 AS	
02	NE05.038	MICROINTERRUTTORE		02	NE05.038	MICROSWITCH	
03	20000900	KIT RICAMBI INGRANAGGI MOTORIDUTTORE V2		03	20000900	KIT ENGRENAGES MOTOREDUCT. V2	
04	9161.132	RONDELLA MYLAR X MOTORIDUTTORE		04	9161.132	RONDELLE MOTOREDUCTEUR	
05	11003037	AS.MOTORE X MOTORIDUTTORE C/CONDENS.		05	11003037	MOTEUR REDUCTEUR + CONDENSAT.	
06	9121.046	BOCCOLA SINTERIZZATA X MOTORE		06	9121.046	JOINT DE MOTEUR	
07	148380200	RONDELLA TELA BAKELIZZATA D=5,5		07	148380200	RONDELLE D=5,5	
08	9121.044	ANTIVIBRANTE X MOTORE		08	9121.044	AMORTISSEUR MOTEUR	
09	11003754	COPERTURA PIASTRA MONTAGGIO P0057 NER.		09	11003754	COUVERCLE PLAQUE DE MONTAGE	
10	12000450	VITE TCRB 3,5X12 PLAST.ZN-N		10	12000450	VIS TCRB 3,5X12 PLAST.ZN-N	
11	11013531	AS.PERNO RUB.REGOL.FLUSO ACQ/VAP.V2 P0057		11	11013531	ENSEMB. PIPETTE SORTIE CHAUDIERE	
12	11013530	PERNO RUB.REGOL.FLUSO ACQ/VAP.V2 P0057		12	11013530	PIPETTE SORTIE CHAUDIERE P0057	
13	NM01.035	OR ORM 0090-20 SILICONE		13	NM01.035	JOINT OR ORM 0090-20 SILICONE	
14	NM01.057	OR ORM 0050-20 SILICONE		14	NM01.057	JOINT OR ORM 0050-20 SILICONE	
15	NE05.013	MICROINTERRUTTORE		15	NE05.013	MICROSWITCH	
16	11012382	GRUPPO CAFFE' 8GR.5BAR S0053 NERO VEDI COD. ESPLOSO E90067		16	11012382	GRUPE CAFE 8GR. 5BAR S0053 DETAILS SUR VUE E90067	