

Saeco
INTERNATIONAL GROUP

SUP030ND

PRIMEA 2007



Cod.10001839-60-63-64-68-71

Cod.10001872-78-79-80-81

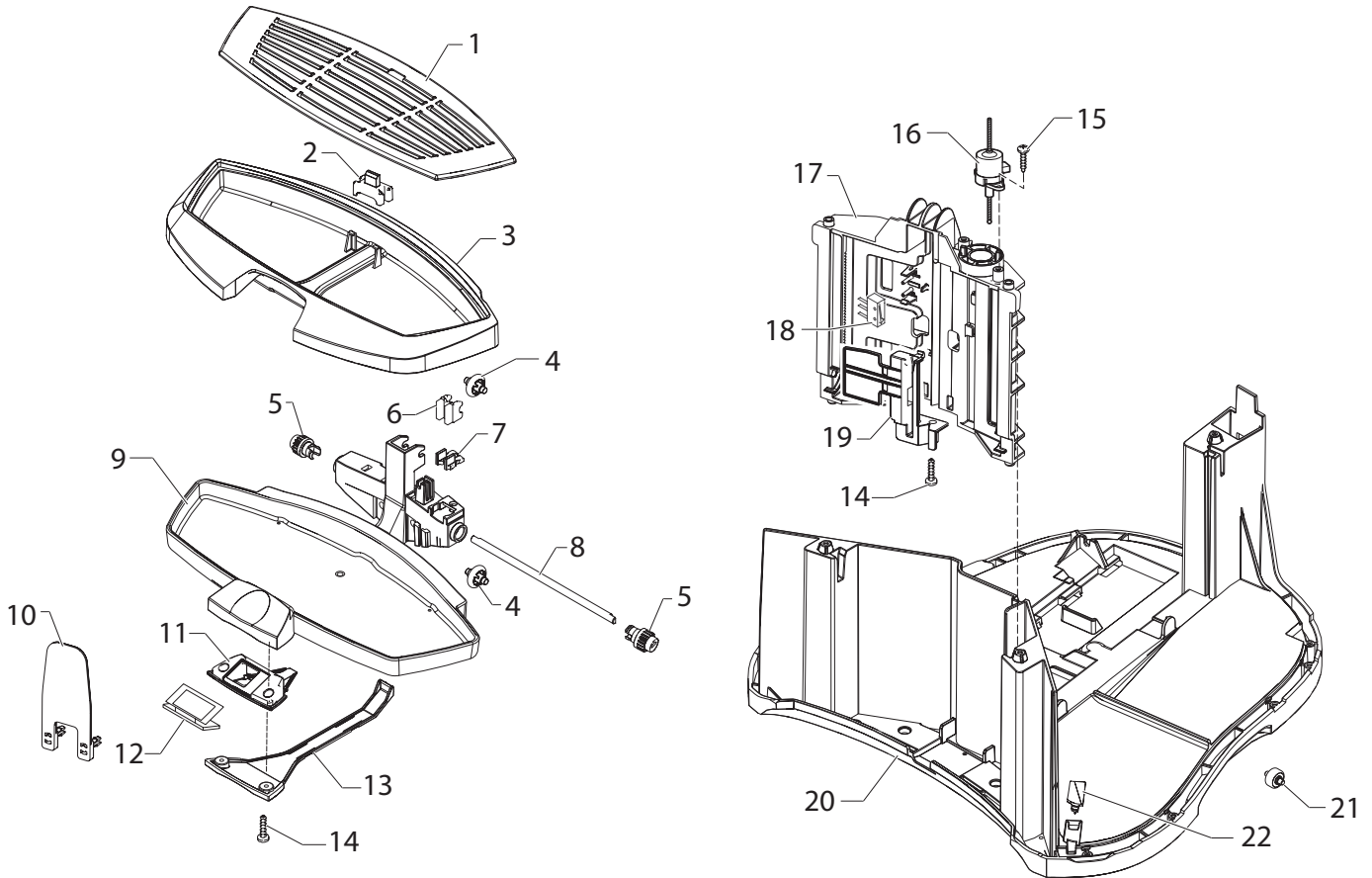
POS	CODICE	DESCRIZIONE	NOTE	POS	CODE	DESCRIPTION	NOTE
01	129914102	VITE TORX K 35X12 WN 1423 ZINCATA		01	129914102	SCREW K 35X12 WN 1423 GALVANIZED	
02	11005436	CARCASSA LATER.SX V2 P124 VER.SPECCHIAT.		02	11005436	SPECCHIATO LEFT SIDE CASING V2 P124	
03	11002297	PIASTRINA C/LOGO SAECO P124 DIAMANTATO		03	11002297	PLATE WITH LOGO SAECO P124 DIAMOND	
04	11000294	RACCORDO X TUBO ACQUA CALDA P124 NERO		04	11000294	BLACK HOT WATER TUBE CONNECTOR P124	
05	12000414	OR METRICO 0030-15 IN EPDM/FDA		05	12000414	OR METRIC 0030-15 IN EPDM/FDA	
06	11000759	MOLLA TUBO ACQUA CALDA P124 ACC.		06	11000759	HOT WATER TUBE SPRING P124	
07	11000293	TUBO EROGAZIONE ACQUA CALDA P124 NERO		07	11000293	BLACK HOT WATER DISPENSER TUBE P124	
08	11002277	SUPP.TUBO ACQUA CALDA P124 VER.MEZZAN.		08	11002277	MEZZANOT. HOT WATER TUBE SUPPORT P124	
09	11000596	IMPUGNAT.TUBO EROG.ACQ.CALDA P124 NERA		09	11000596	BLACK HOT WATER TUBE HANDLE FOR P124	
10	11000593	COPERT.TUBO EROG.ACQUA CALDA P124 INOX		10	11000593	HOT WATER TUBE COVER P124	
11	11002268	COPERT.SUPP.DISPLAY P124 VER.MEZZANOTTE		11	11002268	MEZZANOTTE DISPLAY SUPPORT COVER P124	
12	11000580	VETRINO X LED ILLUMINAZIONE TAZZE P124		12	11000580	GLASS FOR CUPS LED P124	
13	11003180	AS.CARC.ANT/SUP.P124/C MEZZANOTTE SER.	CON PART. N°03	13	11003180	MEZZANOT. FRONT/UPPER CASING P124/C AS	WITH PART. N°03
14	11003176	AS.COP.SCALDATAZ.C/PTC P124 ARGENTO	230V	14	11003176	SILVER CUPWARMING LID P124 ASSY.	230V
	11004496	AS.COP.SCALDATAZ.C/PTC P124 UL ARGENTO	120V		11004496	SILVER CUPWARMING LID P124 UL ASSY.	120V
15	129573402	VITE TCB PH/SW 4X10 UNI 8112 ZNP		15	129573402	SCREW TAPT M4X10 DIN 7985 GALV	
16	11003076	MAGNETE D=12 P124		16	11003076	D=12 MAGNET P124	
17	U140.014	PANELVIT TCB 3,5X16 DIN 7505 B ZNP		17	U140.014	PANELVIT TCB 3,5X16 DIN 7505 B GAL	
18	11000581	PERNO X CERNIERA SPORTELO P124 OTT/NIK		18	11000581	PIN FOR DOOR HINGE P124	
19	11002264	COPERC.PORTA SERIALE P124 VER.SPECCHIAT.		19	11002264	SPECCHIATO SERIAL PORT COVER P124	
20	11006668	TASTO X INTER.GENER.V2 P124 CROM.LUC.		20	11006668	GLOSS/CHROM.GEN SWITCH BUTTON V2 P124	
21	11002289	ANELLO X TASTO INT.GEN.P124 VERN.SPECCH.		21	11002289	SPECCHIATO GEN.SWITCH BUTTON RING P124	
22	11002249	CARCASSA LATER.DX P124 VER.SPECCHIATO		22	11002249	SPECCHIATO RIGHT SIDE CASING P124	
	11005683	CARCASSA LATER.DX P124 UL VER.SPECCHIAT.			11005683	SPECCHIATO RIGHT SIDE CASING P124 UL	
23	149254400	TASTO PUSH-PUSH A4U66A-6X-000(800G)		23	149254400	PUSH-PUSH A4U66A-6X-000 (800G)	
24	145898750	INSERTO X CHIUSURA FRONTALINO P119		24	145898750	INSERT FOR CLOSING FRONT PANEL P119	
25	11000283	SPORTELO X CARCAS.LATERALE DX NERO		25	11000283	BLACK LATERAL DOOR P124	
26	11002245	COPERT.SPOT.CARC.LAT.DX P124 VER.SPEC.		26	11002245	SPECCHIATO LATERAL DOOR COVER P124	
27	223070200	ACC SAE AQUA PRIMA 1 UNIT		27	223070200	ACC SAE AQUA PRIMA 1 UNIT	
28	0301.961	TEST DUREZZA ACQUA		28	0301.961	WATER HARDNESS TEST	
29	NV99.055	CHIAVE A BRUGOLA ESAGONO 5		29	NV99.055	ALLEN KEY 5	
30	146680850	MISURINO X CAFFEE SMART NERO		30	146680850	BLACK COFFEE MEASURE SMART	
31	13000201	SCATOLA LITOGRAF. TASTE BOX P124 SAECO		31	13000201	SAECO TASTE BOX P124	
32	11005082	CONF.DA 4BUSTE+2PAST.DETERGEN. WEIGERT		32	11005082	WEIGERT 4 ENVELOPES+2 TABS PACK	
33	1501.098	CONFEZIONE DI GRASSO AL SILICONE		33	1501.098	SILICONE GREASE CONFECTIONS	
34	15001009	LIBRET.ISTRUZIONI V3 SAECO P124/C D/I		34	15001009	MANUAL INSTRUCTIONS V3 SAECO P124/C D/I	
	15001010	LIBRET.ISTRUZIONI V3 SAECO P124/C E/P			15001010	MANUAL INSTRUCTIONS V3 SAECO P124/C E/P	
	15001011	LIBRET.ISTRUZIONI V3 SAECO P124/C GB/F			15001011	MANUAL INSTRUCTION. V3 SAECO P124/C GB/F	
	15001013	LIBRET.ISTRUZIONI V3 SAECO P124/C NL/PL			15001013	MANUAL INSTRUCTION. V3 SAEC.P124/C NL/PL	
35	13000083	FASCIA SOLLEVAMENTO CA L=1550 H=400 P124		35	13000083	BAND FOR LIFTING L=1550 H=400 MM	
36	13000081	INSERTO SUPER.POLISTIROLO SCATOLA P124		36	13000081	UPPER PS-E.INSERT FOR BOX P124	
37	13000082	INSERTO INFER.POLISTIROLO SCATOLA P124		37	13000082	LOWER PS-E.INSERT FOR BOX P124	
38	13000500	SCATOLA LITOG.V2 P124/A-B-C SAECO PRIMEA		38	13000500	DISPLAY BOX V2 P124/A-B-C SAECO PRIMEA	

Saeco
INTERNATIONAL GROUP

PRIMEA 2007

Rev. 00 - 07/05/07

TAVOLA 1/10



SUP030ND

PRIMEA 2007



Cod.10001839-60-63-64-68-71

Cod.10001872-78-79-80-81

POS	CODICE	DESCRIZIONE	NOTE
01	11005116	GRIGLIA VASCA REC.ACQ.P124 INOX	
02	11005388	GALL.VASCA REC.ACQUA GRIGL.IN.P124 ROS	
03	11006773	VASCA RECUP.ACQUA V2 P124 VERN.CARB/TXT	
04	11000113	RUOTA X SUPP.VASCA REC.ACQUA P124 NER	
05	11000081	INGR.Z=17 X SUPPOR.VASC.REC.ACQ.P124 NER	
06	11000224	INSER.X REGISTRO RUOTA SUPP.VASCH.P124	
07	11000115	PIASTRINA X FISSAGG.VITE SENZA FINE P124	
08	11000586	ALBERO X INGR.VASC.MOBIL.P124 TROPICALIZ	
09	11002273	SUPP.VASCA REC.ACQUA P124 VER.CARB/TXT	
10	11002271	PROT.MOVIM.VASCA REC.ACQ.P124 VER.MEZZ.	
11	11000588	SUPP.SCHEDA 2SENS.X VAS.MOBILE P124 NER	
12	11000585	SCHEDA 2SENS.CAPACITIVI X VASCH.MOB.P124	
13	11000070	COPERT.CAVET.SENSORI CAPACITIVI P124 NER	
14	U140.006	PANELVIT TCB 2,5X10 DIN 7505 B ZNP	
15	U140.014	PANELVIT TCB 3,5X16 DIN 7505 B ZNP	
16	12000065	AS.MOTORE SAIA UCL X VASCHET.MOBILE P124	
17	11000114	SUPP.X MOVI.SUPP.VASCA REC.ACQ.P124 NER	
18	11000662	AS.MICROINTERR.VASCA RECUP.ACQUA P124	230V
	11004447	AS.MICROINTERR.VASCA RECUP.ACQUA P124 UL	120V
19	11002293	PROTEZ.INF.MOVIM.VASCA REC.ACQ.P124 NER.	
20	144703850	FONDO CARCASSA P124 NERO	
21	11000223	RUOTA X FONDO CARCASSA P124 NERA	
22	11000273	INSERTO X CHIUSURA FONDO P124 NERO	

POS	CODE	DESCRIPTION	NOTE
01	11005116	STAINLESS STEEL GRATE FOR DRIP TRAY P124	
02	11005388	RED FLOAT FOR DRIP TRAY P124	
03	11006773	TXT/CARBONA DRIP TRAYV2 P124	
04	11000113	BLACK WHELL FOR DRIP TRAY SUPPORT P124	
05	11000081	GEAR Z=17 FOR MOBILE TRAY SUPPORT P124	
06	11000224	INSERT FOR ADJUSTMENT TRAY WHEEL P124	
07	11000115	FIXING PLATE FOR FEEDING SCREW P124	
08	11000586	MOBILE DRIP TRAY GEARS SHAFT P124	
09	11002273	TXT/CARBONA DRIP TRAY SUPPORT P124	
10	11002271	MEZZANOT. DRIP TRAY PROTEC.SUPPOR. P124	
11	11000588	BLACK SENSOR BOARD SUPPORT P124	
12	11000585	MOBILE DRIP TRAY SENSOR BOARD P124	
13	11000070	BLACK COVER FOR SENSORS CABLES P124	
14	U140.006	PANELVIT TCB 2,5X10 DIN 7505 B GAL	
15	U140.014	PANELVIT TCB 3,5X16 DIN 7505 B GAL	
16	12000065	SAIA UCB MOTOR FOR P124 MOBILE TRAY AS.	
17	11000114	SUPPORT FOR DRIP TRAY SUPPORT HANDLING	
18	11000662	MICROSWITCH DRIP TRAY P124 ASSY.	230V
	11004447	MICROSWITCH DRIP TRAY P124 UL ASSY.	120V
19	11002293	BLACK LOWER DRIP TRAY PROT.SUPPORT P124	
20	144703850	BLACK CASING BOTTOM P124	
21	11000223	BLACK WHEEL FOR CASING BOTTOM P124	
22	11000273	INSERT FOR CASING BOTTOM CLOS. P124INS	

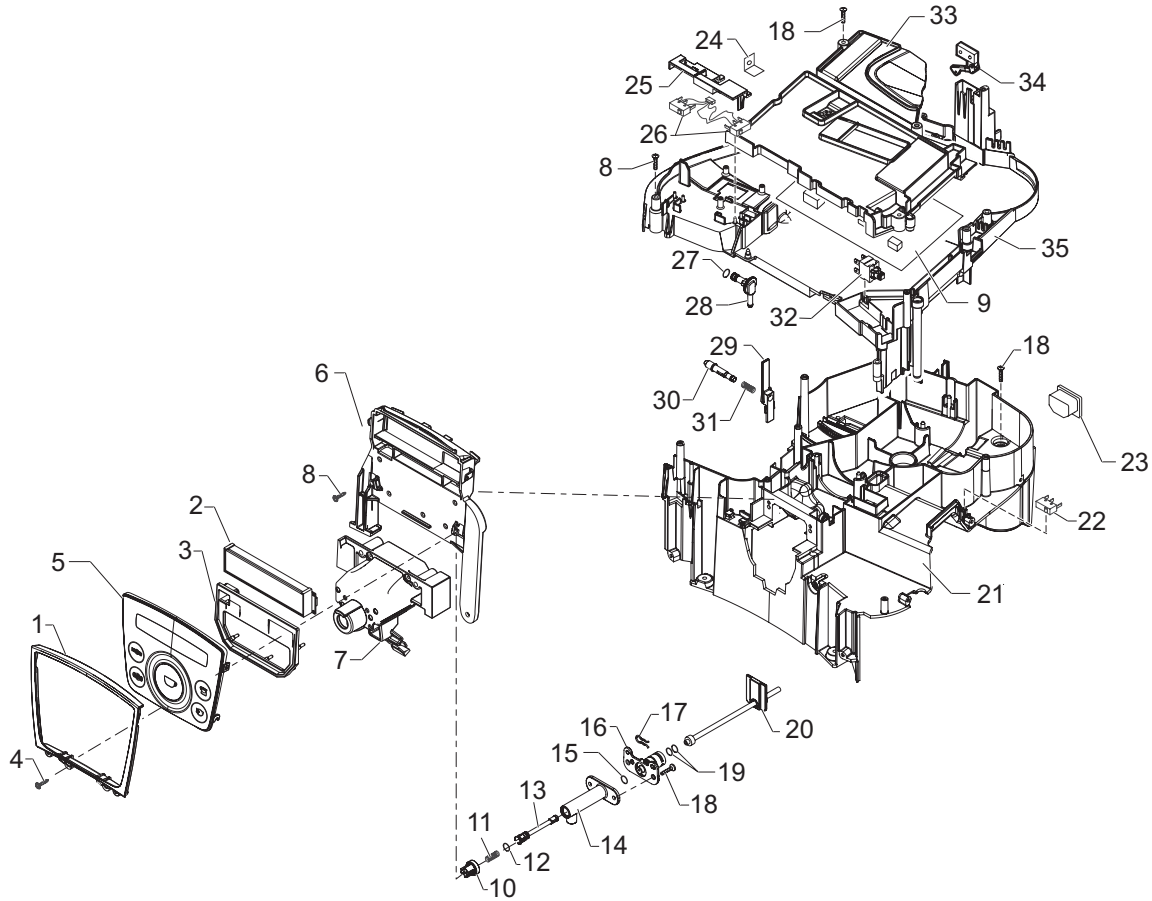


SUP030ND

PRIMEA 2007

Rev. 00 - 07/05/07

TAVOLA 2/10



SUP030ND

PRIMEA 2007



Cod.10001839-60-63-64-68-71

Cod.10001872-78-79-80-81

POS	CODICE	DESCRIZIONE	NOTE	POS	CODE	DESCRIPTION	NOTE
01	11006034	CORNICE DISPLAY V2 P124/C VER.MEZZANOTTE		01	11006034	MEZZANOTTE DISPLAY FRAME V2 P124/C	
02	12000002	DISPLAY LCD 24 X 2		02	12000002	24 X 2 LCD DISPLAY	
03	11003067	GUARNIZIONE TASTIERA P124/C NERA		03	11003067	BLACK TOUCH PANEL SEAL P124/C	
04	U140.006	PANELVIT TCB 2,5X10 DIN 7505 B ZNP		04	U140.006	PANELVIT TCB 2,5X10 DIN 7505 B GAL	
05	11005978	AS.FRONTALIN/V2X DISPLAY P124/C MEZZAN.		05	11005978	MEZZAN.DISPLAY FRONTPLATE/V2 P124/C AS.	
06	11005500	SUPPORTO DISPLAY V2 P124/C		06	11005500	DISPLAY SUPPORT V2 P124/C	
07	11005498	SUPPORTO SBS P124		07	11005498	SBS SUPPORT P124	
08	U143.009	VITE PT TB 3,5X30 WN1412 BN 13577 Z		08	U143.009	screw PT TB 3,5X30 WN1412 BN 1357	
09	11007043	AS.CPU+SW/V1B P124/C	230V	09	11007043	AS.CPU+SW/V1B P124/C	230V
	11007044	AS.CPU+SW/V1B P124/C	120V		11007044	CPU+SW/V1B AS.P124/C	120V
10	149198700	SUPPORTO ASTA REGOLAZIONE CREMA		10	149198700	SUPPORT CREAM ADJUSTMENT SHAFT	
11	126772518	MOLLA X ASTA REGOLAZIONE CREMA		11	126772518	SPRING FOR CREAM ADJUSTMENT SHAFT	
12	140326661	OR METRICO 0040-20 IN EPDM		12	140326661	OR METRIC 0040-20 IN EPDM	
13	140640200	ASTA REGOLAZIONE CREMA		13	140640200	CREAM ADJUSTMENT SHAFT	
14	11000290	TUBO EROGAZIONE CAFFE' P124 NERO		14	11000290	BLACK COFFEE DISPENSER TUBE P124	
15	12000070	OR METRICO 0060-15 IN SILICONE		15	12000070	OR METRIC 0060-15 IN SILICONE	
16	11002130	RACCORDO FAST LOCK X EROGAT.P0053 NERO		16	11002130	FAST LOCK CONNECT. FOR EROGATOR P0053	
17	9011.144	FORCELLA X TUBO D.4		17	9011.144	FORK FOR TUBE D.4	
18	U140.014	PANELVIT TCB 3,5X16 DIN 7505 B ZNP		18	U140.014	PANELVIT TCB 3,5X16 DIN 7505 B GAL	
19	140328059	OR 2015 IN SILICONE PTFE/FDA		19	140328059	OR 2015 IN SILICONE PTFE/FDA	
20	11007459	AS.TUBO TEFLON 2X4 L=110+PIASTR+BOC.P124		20	11007459	TEFLON TUBE 2X4 L=110+PLATE+BUSH ASSY.	
21	11005439	PIASTRA ORIZZONTALE MONT.V2 P124 NERO		21	11005439	BLACK HORIZONTAL PLATE V2 P124	
	11005693	PIASTRA ORIZZONTALE MONT.V2 P124 UL NERO	120V U.S.A.		11005693	BLACK HORIZONTAL PLATE V2 P124 UL	120V U.S.A.
22	11000606	AS.MICROINTERRUTTORE SPORTELLO P124	230V	22	11000606	MICROSWITCH DOOR P124 ASSY.	230V
	11004463	AS.MICROINTERRUTTORE SPORTELLO P124 UL	120V		11004463	MICROSWITCH DOOR P124 UL ASSY.	120V
23	12000280	PRESA A VASCETTA C/SMUSSI EN 60320 C 13		23	12000280	CUP SOCKET EN 60320 C 13	
24	12000071	LING.DOPPIA 6,3 D=4,3 <=90° 0010229202		24	12000071	DOUBLE TABS 6,3 D=4,3 <=90° 0010229202	
25	11000564	ATTUATORE X MICRO AUTOCAPPUCCINO P124		25	11000564	AUTOCAPPUC. MICROSWITCH ACTUATOR P124	
26	11000663	AS.MICROINTER.PRESENZA VASCA LATTE P124	230V	26	11000663	MICROSWITCH PRESENCE MILK BOX P124 AS.	230V
	11004459	AS.MICROINT.PRESENZA VASCA LATTE P124 UL	120V		11004459	MICROSWITC. PRESENCE MILK BOX P124 UL AS	120V
27	11000193	GUARN. X RACCORDO USCITA LATTE P124 NER		27	11000193	MILK OUTLET SEAL P124	
28	11002191	RACCORDO LATTE/VAPORE C/NT P124 NERO		28	11002191	BLACK CONNECTOR MILK/STEAM WITH NT P124	
29	11000291	PIASTRINA X RACCOR.LATTE/VAPORE P124 NER		29	11000291	BLACK MILK/STEAM CONNECTOR PLATE P124	
30	11002186	TUBO X PIASTR.RAC.LATTE/VAP.C/NT P124 NER		30	11002186	MILK/STEAM CONNE.PLATE TUBE WITH NT P124	
31	11001694	MOLLA X TUBO EROGAZIONE LATTE P124 ACC.		31	11001694	MILK TUBE SPRING P124	
32	11000592	INTERRUTTORE GENERALE SAIA 3292 X P124	120V	32	11000592	SAIA 3292 GENERAL SWITCH FOR P124	120V
	11007060	INTERRUTTORE GENERALE P124	230V		11007060	GENERAL SWITCH FOR P124	230V
33	11000570	COPERCHIO SCHEDA ELETTRON.P124 NERO		33	11000570	BLACK ELECTRONIC BOARD COVER P124	
	11004316	COPERCHIO SCHEDA ELETTRON.P124 UL NERO			11004316	BLACK ELECTRONIC BOARD COVER P124 UL	
34	11002857	AS.SENSORI MACINAC.+MICRO CONT.CAF.P124		34	11002857	SENSORS GRINDER+MICRO COFF. CONT. P124	
35	11005450	PIASTRA SUPP.SCHEDA ELET.V2 P124 NERA	230V	35	11005450	BLACK ELECTR.BOARD SUPP. PLATE V2 P124	230V
	11005451	PIASTRA SUPP.SCHEDA ELET.V2 P124 UL NERA	120V		11005451	BLACK ELECTR.BOARD SUPP.PLATE V2 P124 UL	120V

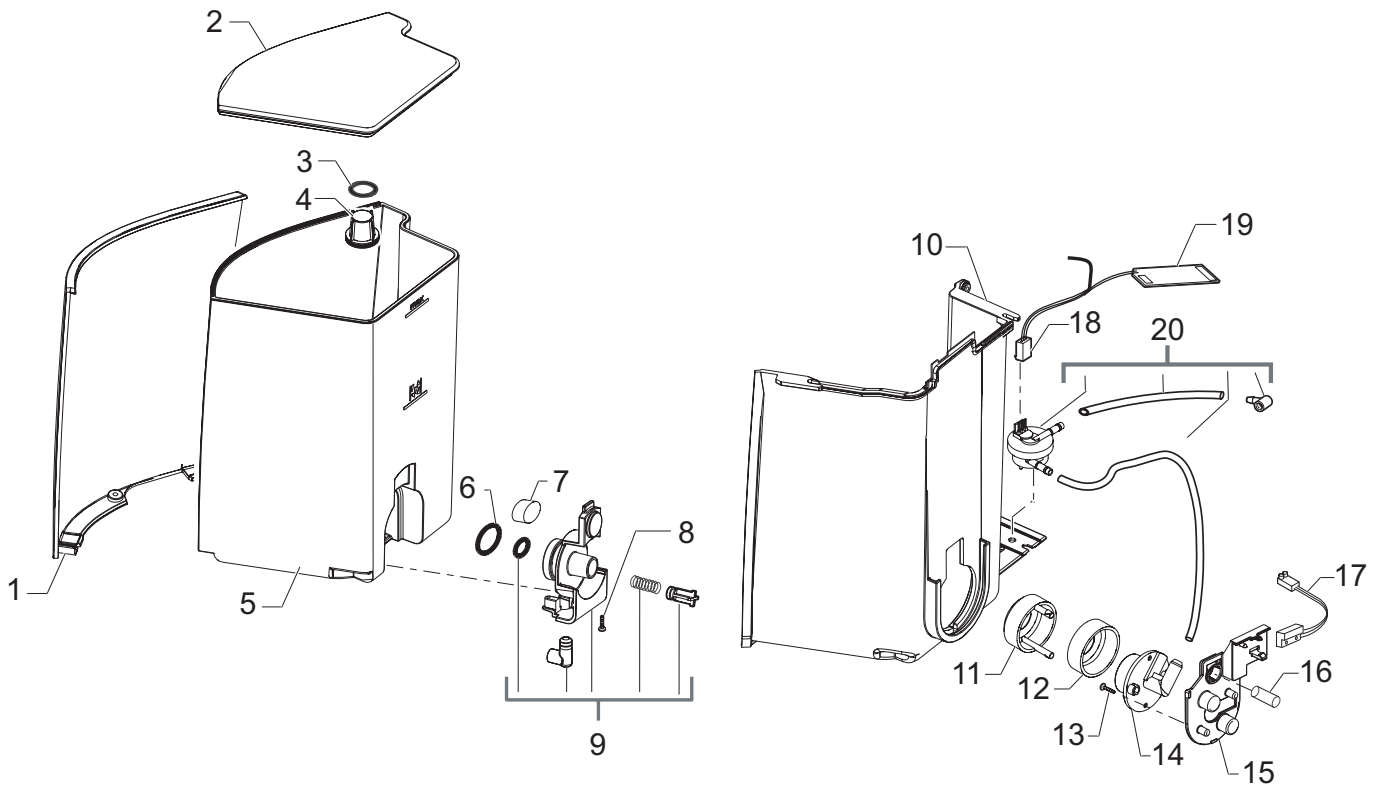


SUP030ND

PRIMEA 2007

Rev. 00 - 07/05/07

TAVOLA 3/10



SUP030ND

PRIMEA 2007



Cod.10001839-60-63-64-68-71

Cod.10001872-78-79-80-81

POS	CODICE	DESCRIZIONE	NOTE
01	11002283	COPERT.LAT.CONT.ACQUA P124 VER.SPECCH.	
02	11000250	COPERCHIO CONTENITORE ACQUA P124 NERO	
03	140328461	OR METRICO 0190-10 IN EPDM	
04	144650800	FILTRO X CONTENITORE ACQUA	
05	11000228	CONTENITORE ACQUA P124 GRIG/NATURALE	
06	NM01.016	OR 3068 SILICONE	
07	11003076	MAGNETE D=12 P124	
08	U140.006	PANELVIT TCB 2,5X10 DIN 7505 B ZNP	
09	20000452	KIT RICAMBIO COPERT.USCITA CONT.ACQ.P124	
10	11004787	SUPPORTO CONT.ACQUA C/GUARN.P124 NERO	
11	11000255	COPERT. CONT.GUARNIZ.VALVOLA P124 NER	
12	12000168	GUARNIZ.X VALV.CONTENIT.ACQUA P124 NERA	
13	129535721	VITE TSP 3,5X9,5 DIN 7982 INOX	
14	11000254	CONTENITORE GUARNIZ. X VALVOLA P124 NER.	
15	11000253	PIASTRA SUPPOR. VALVOLA ACQUA P124 NER	
16	11003040	CILINDRO D=10 X SUPPOR.CONT.ACQUA P124	
17	11002854	SENS.REED MK4-1A71-BV14597 LIV.ACQ.P124	
18	11000608	AS.CONNETT.6POLI LIVELLO+TURBINA P124	230V
	11004425	AS.CONNETT.6POLI LIVELLO+TURBINA P124 UL	120V
19	11000651	SCHEDA SENSORE CAPACITIV. LIVEL.ACQ.P124	
20	11007554	AS.TURBINA V2 P124	

POS	CODE	DESCRIPTION	NOTE
01	11002283	SPECCHIATO RIGHT WATER TANK COVER P124	
02	11000250	BLACK WATER CONTAINER LID P124	
03	140328461	EPDM OR METRIC 0190-10	
04	144650800	WATER TANK FILTER	
05	11000228	NATURAL/GREY WATER CONTAINER P124	
06	NM01.016	OR 3068 SILICONE	
07	11003076	D=12 MAGNET P124	
08	U140.006	PANELVIT TCB 2,5X10 DIN 7505 B GAL	
09	20000452	SPARES KIT WATER TANK OUTLET COVER P124	
10	11004787	BLACK WATER CONTAINER SUPPORT P124	
11	11000255	BLACK COVER FORVALVE SEAL CONTAIN. P124	
12	12000168	WATER CONTAINER VALVE SEAL P124	
13	129535721	SCREW TSP3,5X9,5 DIN 7982 SS	
14	11000254	BLACK VALVE SEAL CONTAINER P124	
15	11000253	BLACK WATER VALVE SUPPORT PLATE P124	
16	11003040	WATER CONTAINER SUPPORT D=10 CYLINDER	
17	11002854	REED SENSOR MK4-1A71-BV14597 P124	
18	11000608	6POLES CONNec. LEVEL+FLOWMETER P124	230V
	11004425	6POLES CONNec. LEVEL+FLOWMETER P124 UL	120V
19	11000651	WATER LEVEL SENSOR BOARD P124	
20	11007554	TURBINE V2 P124 ASSY.	

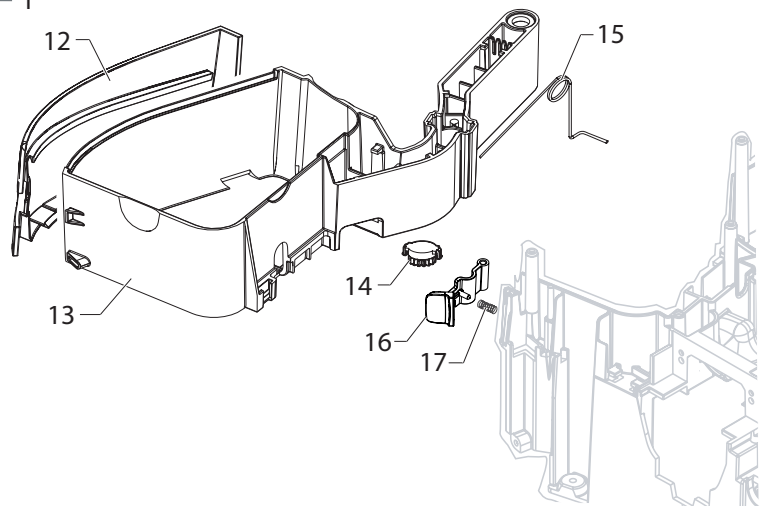
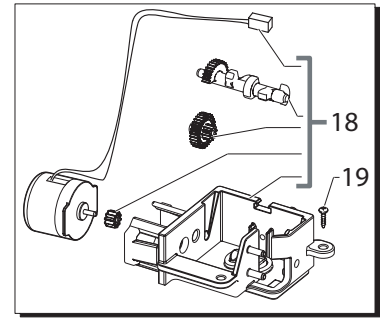
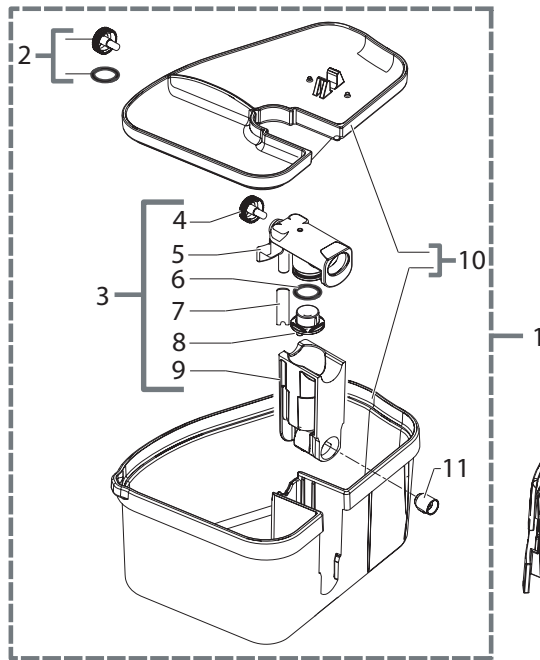


SUP030ND

PRIMEA 2007

Rev. 00 - 07/05/07

TAVOLA 4/10



Saeco
INTERNATIONAL GROUP

SUP030ND

PRIMEA 2007



Cod.10001839-60-63-64-68-71

Cod.10001872-78-79-80-81

POS	CODICE	DESCRIZIONE	NOTE
01	20000710	KIT RICAMBIO CAPPUCCINATORE V2 P124	
02	11006010	AS.RICAMBI CAPPUCCINATORE V2 P124	
03	20000454	KIT RICAMBIO CAPPUCCINATORE P124	
04	11005218	REGOLAT.FLUSSO LATTE-ARIA C/NT P124 BIA.	
05	11005215	EROGAT. X CAPPUCCINAT.OR C/NT P124 NER	
06	140322261	OR 2050 IN EPDM	
07	11005462	TUBO SILICONE NERO 3,5X6 L=50 MM	
08	11005216	TUBO VENTURI X CAPPUCCINAT.C/NT P124 BIA	
09	11005217	CORPO CAPPUC.POSTCAMERA C/NT P124 NER	
10	20000540	KIT RICAMB.CONT.LATTE+COPERCH.P124 NERO	
11	11004917	GUARNIZ.USCITA LATTE CAPP.C/NT P124 NERO	
12	11005454	COPERT.SUPP.CONT.LATTE V2 P124 VER.SPEC.	
13	11005438	SUPPORTO CONTENITORE LATTE V2 P124 NER.	
14	11000679	INGRANAGGIO VISCOSO X GUIDA LATTE P124	
15	11000739	MOLLA SUPPORTO CONTENIT.LATTE P124 ACC.	
16	11005394	TASTO SGANC.SUPP.CONT.LAT.P124 VER.SPEC.	
17	11005395	MOLLA TASTO SGANC.SUPP.CONT.LAT.P124 AC.	
18	11005293	AS.VALVOLA AUTOCAPPUCCINO S/MICRO P124	
19	U140.006	PANELVIT TCB 2,5X10 DIN 7505 B ZNP	

POS	CODE	DESCRIPTION	NOTE
01	20000710	SPARES KIT FOR CAPPUCCINATORE V2 P124	
02	11006010	CAPPUCCINATORE V2 SPARE PARTS P124 AS.	
03	20000454	SPARES KIT FOR CAPPUCCINATORE P124	
04	11005218	REGULATOR OF FLOW MILK-AIR WITH NT P124	
05	11005215	BLACK CAPPUCCIN.DISPENSER WITH NT P124	
06	140322261	OR 2050 IN EPDM	
07	11005462	BLACK SILICONE TUBE 3,5X6 L=50 MM	
08	11005216	WHITE VENTURI TUBE CAPPUCC.WITH NT P124	
09	11005217	BLACK CAPPUCCINATOR.CASING WITH NT P124	
10	20000540	SPARES KIT MILK CONTAINER + COVER P124	
11	11004917	BLACK MILK OUTLET SEAL P124	
12	11005454	SPECCH. COVER FOR MILK CONT.SUPPOR V2	
13	11005438	BLACK MILK CONTAINER SUPPORT V2 P124	
14	11000679	VISCOUS GEAR FOR MILK GUIDE P124	
15	11000739	MILK CONTAINER SUPPORT SPRING P124	
16	11005394	SPECCH. BUTTON MILK CONT.SUPPORT P124	
17	11005395	MILK CONTAINER SUPPORT SPRING P124	
18	11005293	AUTOCAPPUCCINO VALVE W/O.MICRO P124 AS.	
19	U140.006	PANELVIT TCB 2,5X10 DIN 7505 B GAL	

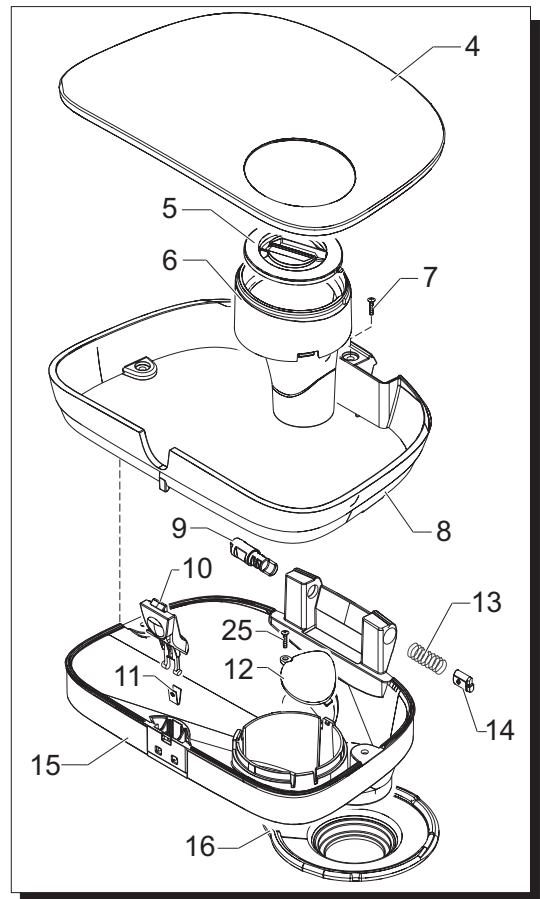
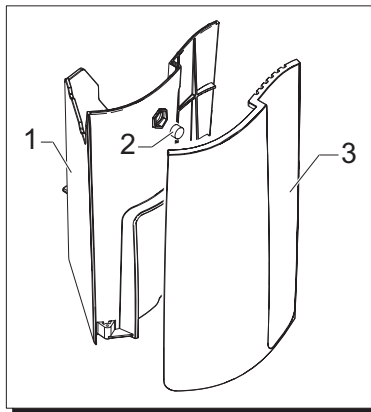
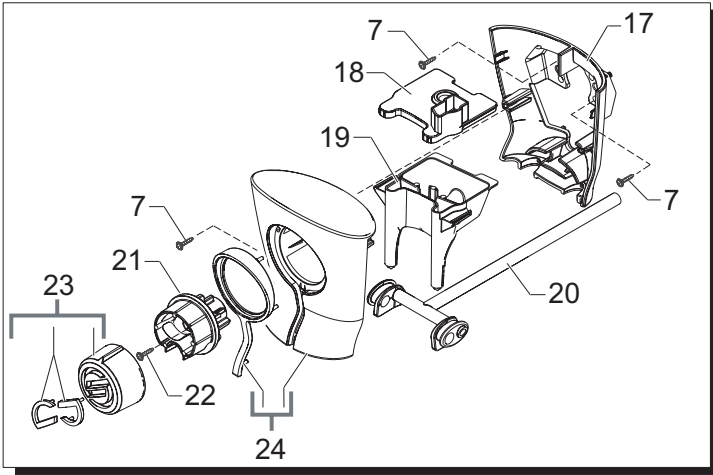
Saeco
INTERNATIONAL GROUP

SUP030ND

PRIMEA 2007

Rev. 00 - 07/05/07

TAVOLA 5/10



Saeco
INTERNATIONAL GROUP

SUP030ND

PRIMEA 2007



Cod.10001839-60-63-64-68-71

Cod.10001872-78-79-80-81

POS	CODICE	DESCRIZIONE	NOTE
01	11005849	CASSETTO RACCOGLI FONDI P124 NERO SER.	
02	11003040	CILINDRO D=10 X SUPPOR.CONT.ACQUA P124	
03	11006475	COPERT.ANT.CAS.FONDI V2 P124 VER.SPECCH.	
04	11006148	COP.CONT.CAF.GRANI C/GUARN.P124/D GRINAT	
05	11000061	COPERC. TRAMOG. CAF.MACIN.P124 GRIG/NAT	
06	11000060	TRAMOG. DOSE CAF.MACINATO P124 GRI/NAT	
07	U140.014	PANELVIT TCB 3,5X16 DIN 7505 B ZNP	
08	11000048	ANELLO X CONT.CAFFE' GRANI P124 GRI/NAT.	
09	11002571	ATTUATORE X MICRO APER.COP.CON.CAF.P124	
10	11007379	TASTO SGANC.CONT.CAF.GRA.P124 SPECCH.	
11	11001693	MOLLA TASTO COP.CONT.CAF.GRANI P124 ACC.	
12	11002294	COPERCHIO X REGOL.MACINATURA P124 NERO	
13	11000790	MOLLA COPERCHIO CONT.CAF.GRANI P124 ACC	
14	147472750	PERNO BLOCCAGGIO MOLLA SMART1 DIGIT	
15	11000066	CONTENITORE CAFFE' GRANI P124 NERO	
16	11000191	GUARNIZ.CONTENIT.CAFFE' GRANI P124 NERO	
17	11004694	COPERT.POST.EROG.CAF.P124 CROM/LUCIDO	
18	11000192	TAPPO X CORPO EROGAT.CAFFE' P124 NERO	
19	11000285	CORPO EROGATORE CAFFE' P124 NERO	
20	11002187	TUBO A T EROGAZIONE LATTE C/NT P124 NERO	
21	11007757	AS.RACCORDO INTERNO EROG.CAF.P124 NERO	
22	129512921	VITE TCB 2,9X12,7 DIN 7981 INOX	
23	11003168	AS.POMELLO REGOL.CREMA P124 CROM/LUC	
24	11005496	AS.COPER.ANT.EROG.CAF.P124 CROM/LUC.SER.	
25	U140.006	PANELVIT TCB 2,5X10 DIN 7505 B ZNP	

POS	CODE	DESCRIPTION	NOTE
01	11005849	BLACK DUMP BOX P124 SILK/SCREEN	
02	11003040	WATER CONTAINER SUPPORT D=10 CYLINDER	
03	11006475	SPECCHIAT. FRONT DUMP BOX COVER V2 P124	
04	11006148	NATUR/GREY BEAN COF.CONTAINER LID P124D	
05	11000061	GROUND COFFEE HOPPER LID NATURAL/GREY	
06	11000060	NATUR/GREY HOPPER FOR POWDER COF. P124	
07	U140.014	PANELVIT TCB 3,5X16 DIN 7505 B GAL	
08	11000048	NATUR/GREY RING FOR BEANS CONTAIN. P124	
09	11002571	BEAN COF. CONT.LID MICRO ACTUATOR P124	
10	11007379	SPECCHIATO BUTTON FOR BEANS CONTAINER	
11	11001693	BEANS CONTAINER COF.BUTTON SPRING P124	
12	11002294	BLACK GRINDER REGULATION COVER P124	
13	11000790	BEANS COF. CONTAINER COVER SPRING P124	
14	147472750	PIN FOR DEADLOCK SPRING SMART1 DIG.	
15	11000066	BLACK BEAN COFFEE CONTAINER P124	
16	11000191	BLACK BEAN COFFEE CONTAINER SEAL P124	
17	11004694	CHROMED REAR COF. DISPENSER COVER P124	
18	11000192	BLACK CAP COFFEE DISPEN.HEAD BODY P124	
19	11000285	BLACK COFFEE DISPENSER BODY P124	
20	11002187	BLACK MILK DISPENSER TUBE W/OUT NT P124	
21	11007757	INTERNAL CONNECT.FOR COFF.DISPENSER AS.	
22	129512921	SCREW TCB 2,9X12,7 DIN 7981 SS	
23	11003168	CHR/PLAT.CREAM ADJUSTMENT KNOB P124 AS.	
24	11005496	FRONT COVER COFFEE DISPENSER P124 ASSY.	
25	U140.006	PANELVIT TCB 2,5X10 DIN 7505 B GAL	

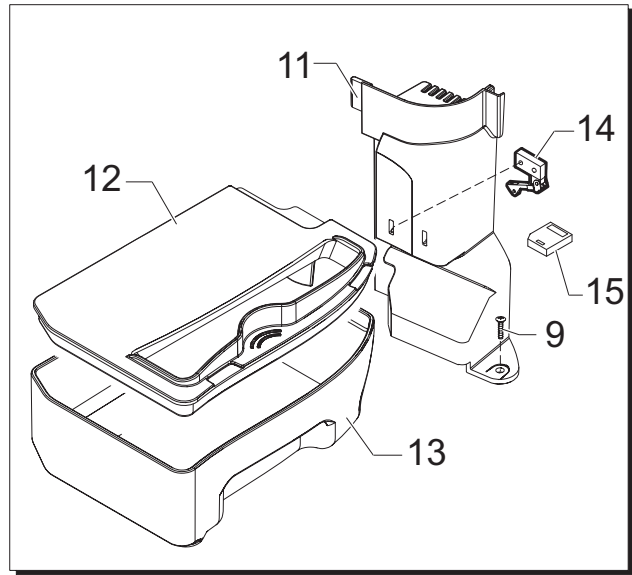
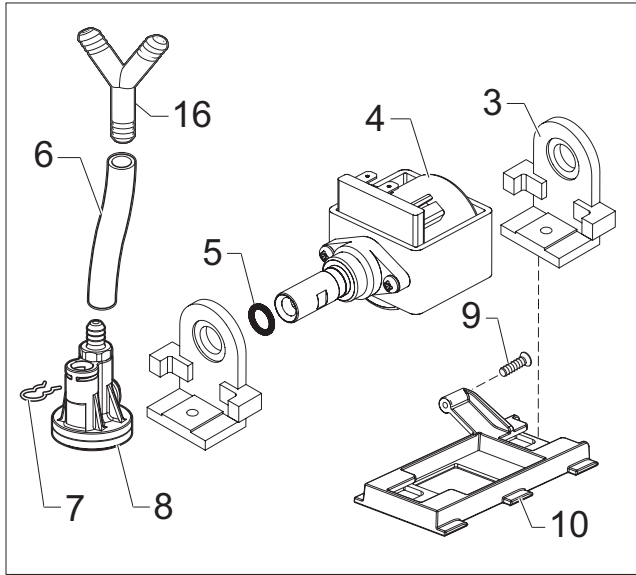
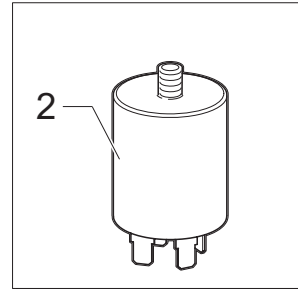
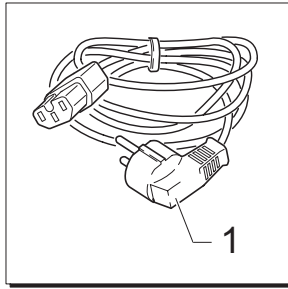
Saeco
INTERNATIONAL GROUP

SUP030ND

PRIMEA 2007

Rev. 00 - 07/05/07

TAVOLA 6/10



Saeco
INTERNATIONAL GROUP

SUP030ND

PRIMEA 2007



Cod.10001839-60-63-64-68-71

Cod.10001872-78-79-80-81

POS	CODICE	DESCRIZIONE	NOTE
01	183911050	CAVO AL.SCHUK. 3X1 H05VV-F NERO L=1200MM	
	183930650	CAVO AL.CH 3X1 H05VV-F NER.L=1200MM	
	183940650	CAVO AL.AUSTR.H05VV-F 3X1 NERO L=1200MM	
	11004247	CAVO ALIM.CINA RVV 3X1 C/C.NER.L=1200MM	
	11004245	CAVO AL.BRA.H05VV-F 3X1,5 C/C.NER.L=1200MM	
	11001985	CAVO ALIM.KOR. VCTF 3X1,25 NERO L=1200MM	
	183921950	CAVO AL.USA SJT3 UL 16AWG NERO L=1200MM	
	183980650	CAVO ALIM.JAP.VCTF 3X2 NERO L=1200 MM	
	11004246	CAVO AL.TAIW. HVCTF 3X2 C/C NERO.L=1200MM	
02	12000005	FILTRO ANTIDIST.10A F.NC.10.05.474.103.P	230V
	12000007	FILTRO ANTIDIST.16A F.NC.16.10.474.472.P	120V
03	11001302	INSERTO X SUPPORTO POMPA P124 NERO	
04	12000140	POMPA ULKA EP5/S GW	230V-50HZ
	12000167	POMPA ULKA EP5/S GW	240V-50HZ
	12000131	POMPA ULKA EP5/S	120V-60HZ
	12000182	POMPA ULKA EP5/S GW	220V-60HZ
	12000130	POMPA ULKA EP5/S GW	100V-50/60HZ
05	140321961	OR 2031 IN TERMOIL	
06	JS01.022	TUBO SILICONE 5X10 60 SHORE MATASSA	
07	9011.144	FORCELLA X TUBO D.4	
08	229452100	AS.VALVOLA DI COMPENS.E SICUREZZA 16BAR	
09	U140.014	PANELVIT TCB 3,5X16 DIN 7505 B ZNP	
10	11000063	SUPPORTO POMPA X P124 NERO	
11	11000080	SUPPOR.SENSORE VASCA REC.ACQ.P124 NER.	
12	11002466	COPERCH VASCA INT.REC.ACQUA P124 NER	
13	11000277	VASCA INTERNA RECUPERO ACQUA P124 NER	
14	11000664	AS.MICRO.PRES.+LIVEL.VASCA INTERNA P124	230V
	11004472	AS.MICRO.PRESENZ.+LIVEL.VASCA INT.P124 UL	120V
15	11000651	SCHEDA SENSORE CAPACITIVO LIVEL. ACQUA	
16	NV99.004	RACCORDO A T MORONI 8026047 D=8	

POS	CODE	DESCRIPTION	NOTE
01	183911050	POWER CABLE SCHUKO BLACK L=1200MM	
	183930650	PO.CABL.CH BLACK 3X1 H05VV-F L=1200MM	
	183940650	BLACK POW. CABLE AUS.3X1 H05VV-F L=1200MM	
	11004247	BLACK POW. CABLE RVV 3X1 CHINA L=1200MM	
	11004245	BLACK POW. CABLE BRA. W/CONNECT.L=1200MM	
	11001985	BLACK POWER CABLE KOREA 3X1,25 L=1200MM	
	183921950	POWER CABLE SJT3 USA BLACK UL L=1200MM	
	183980650	POW. CABLE JAPPON VCTF BLACK L=1200 MM	
	11004246	BLACK POW. CABLE TAIWAN HVCTF L=1200MM	
02	12000005	ANTIDISTURB FILTER 10A FNC 1005474103P	230V
	12000007	ANTIDISTURB FILTER 16A FNC 1610474472P	120V
03	11001302	BLACK INSERT FOR PUMP SUPPORT P124	
04	12000140	ULKA PUMP EP5/S GW	230V-50HZ
	12000167	ULKA PUMP EP5/S GW	240V-50HZ
	12000131	ULKA PUMP EP5/S	120V-60HZ
	12000182	ULKA PUMP EP5/S GW	220V-60HZ
	12000130	ULKA PUMP EP5/S GW	100V-50/60HZ
05	140321961	OR 2031 IN TERMOIL	
06	JS01.022	SILICONE TUBE 5X10 60 SHORE IN ROLL	
07	9011.144	FORK FOR TUBE D.4	
08	229452100	COMPENSATION AND SAFETY VALVE 16BAR AS.	
09	U140.014	PANELVIT TCB 3,5X16 DIN 7505 B GAL	
10	11000063	BLACK PUMP SUPPORT P124	
11	11000080	SUPPORT FOR SENSOR FOR DRIP TRAY P124	
12	11002466	BLACK INTERNAL DRIP TRAY LID P124	
13	11000277	BLACK INTERNAL DRIP TRAY P124	
14	11000664	MICROSW.PRESENCE+LEVEL INT.BOX P124 AS.	230V
	11004472	MICRO.PRESENCE+LEVEL INT.BOX P124 UL AS.	120V
15	11000651	WATER LEVEL SENSOR BOARD P124	
16	NV99.004	CONNECTOR T MORONI 8026047 D=8	

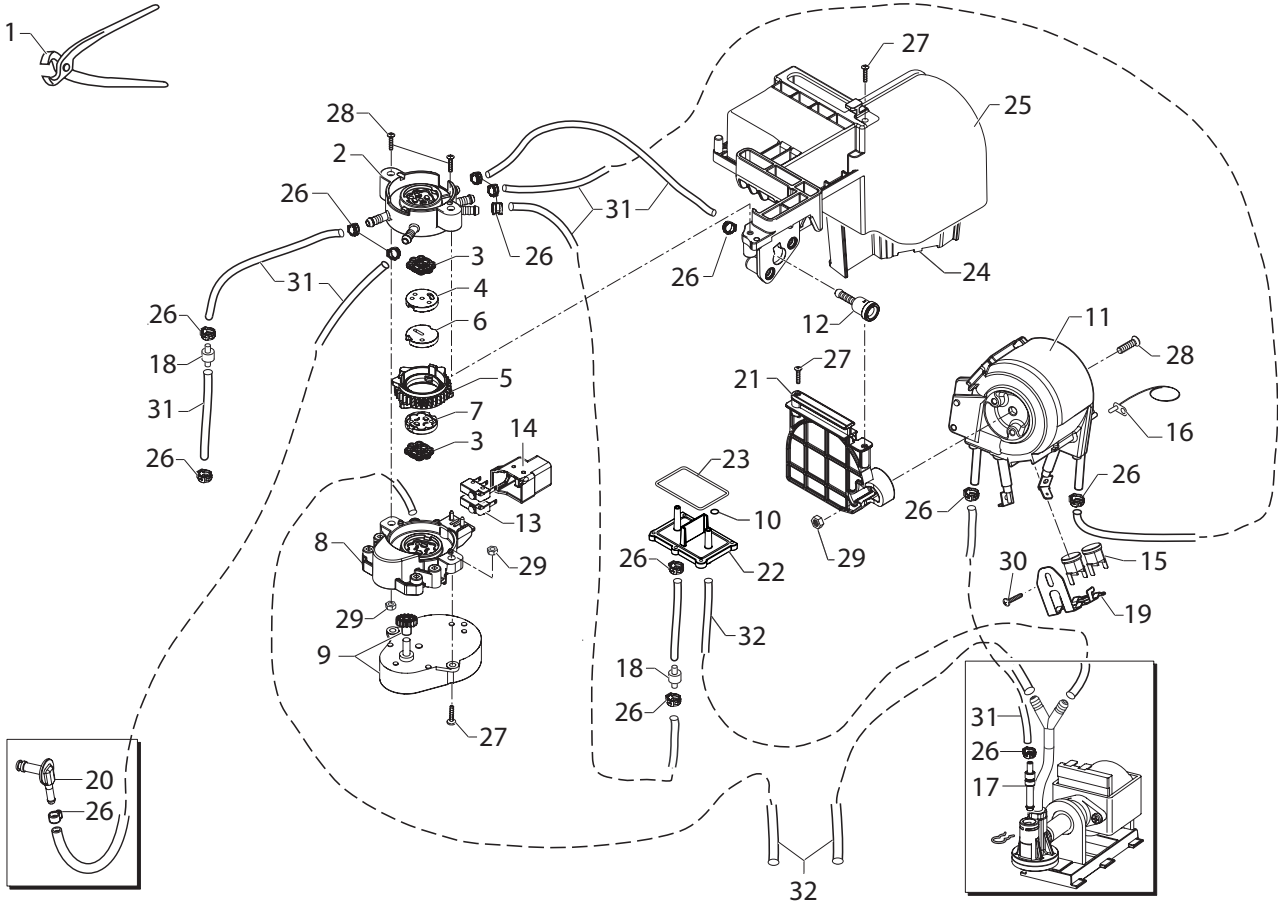
Saeco
INTERNATIONAL GROUP

SUP030ND

PRIMEA 2007

Rev. 00 - 07/05/07

TAVOLA 7/10



SUP030ND

PRIMEA 2007



Cod.10001839-60-63-64-68-71

Cod.10001872-78-79-80-81

POS	CODICE	DESCRIZIONE	NOTE	POS	CODE	DESCRIPTION	NOTE
01	12000404	PINZA OETIKER COD FORN 14100082		01	12000404	PLIERS OETIKER COD.FORN.14100082	
02		PARTICOLARE NON DISPONIBILE	VEDI ASS. MULTIVALV.	02		PARTICULAR NOT AVAILABLE	SEE KIT FOR VALVE
03		PARTICOLARE NON DISPONIBILE	VEDI ASS. MULTIVALV.	03		PARTICULAR NOT AVAILABLE	SEE KIT FOR VALVE
04		PARTICOLARE NON DISPONIBILE	VEDI ASS. MULTIVALV.	04		PARTICULAR NOT AVAILABLE	SEE KIT FOR VALVE
05		PARTICOLARE NON DISPONIBILE	VEDI ASS. MULTIVALV.	05		PARTICULAR NOT AVAILABLE	SEE KIT FOR VALVE
06		PARTICOLARE NON DISPONIBILE	VEDI ASS. MULTIVALV.	06		PARTICULAR NOT AVAILABLE	SEE KIT FOR VALVE
07		PARTICOLARE NON DISPONIBILE	VEDI ASS. MULTIVALV.	07		PARTICULAR NOT AVAILABLE	SEE KIT FOR VALVE
08		PARTICOLARE NON DISPONIBILE	VEDI ASS. MULTIVALV.	08		PARTICULAR NOT AVAILABLE	SEE KIT FOR VALVE
09	12000068	AS.MOTORIDUT.SAIA X VALVOL.MULTIVIE P124		09	12000068	RATIOMOTOR FOR MULTIWAY VALVE P124 ASS.	
10	140321462	OR 2018 IN SILICONE		10	140321462	OR 2018 IN SILICONE	
11	11000671	AS.CALD.TUBOL/V4 C/RES.SUPPL.	230V-1300W	11	11000671	ALUM.BOILER/V4 WITH RES. ASSY.	230V-1300W
	11004400	AS.CALD.TUBOL/V4 C/RES.SUPPL.	120V-1300W		11004400	ALUM.BOILER/V4 WITH RES. ASSY.	120V-1300W
	11004401	AS.CALD.TUBOL/V4 C/RES.SUPPL.	100V-1300W		11004401	ALUM.BOILER/V4 WITH RES. ASSY.	100V-1300W
12	11000323	RACCORDO X PERNO CALDAIA P124 NEUTRO		12	11000323	BOILER PIN CONNECTOR P124	
13	12000066	MICROINT.SAIA XCG5-U1Z1 C/ATTUAT.A FUNGO		13	12000066	MICROSWITCH SAIA XCG5-U1Z1	
14	11003069	COPERTURA MICRO VALV.MULTIVIE P124 NERO		14	11003069	BLACK COVER FOR VALVE MICROSWITCH P124	
15	189428600	TERMOSTATO 175° 1NT-08L-5125		15	189428600	THERMOSTAT 175° 1NT-08L-5125	
16	12000081	SENSORE TEMPERATURA NTC UL		16	12000081	TEMPERATURE SENSOR NTC UL	
17	11000750	RAC.ADATTATORE FAST LOCK TUBO SIL.TELAT.		17	11000750	ADAPTER CONNECTOR FOR SILICON TUBE	
18	12000097	VALV.NON RITOR. PRESBLOCK RVNRP0505/SA		18	12000097	ONEWAY VALVE PRESBLOCK RVNRP0505/SA	
19	11000674	MOLLA X TERMOSTATI CALD.TUBOL/V4 ACC.		19	11000674	THERMOSTATES SPRING FOR BOILER	
20	20000451	KIT RICAMBIO RACC.LATTE/VAPORE C/NT P124		20	20000451	SPARES KIT FOR CONNECT. MILK/STEAM P124	
21	11000804	SUPPORTO CALDAIA P124/C NEUTRO		21	11000804	BOILER SUPPORT P124/C	
22	11000765	DISSIPATORE X CALDAIA P124/B-C NERO		22	11000765	BLACK DISSIPATOR FOR BOILER P124/B-C	
23	11000764	GUARNIZIONE X DISSIPATORE P124		23	11000764	DISSIPATOR SEAL P124	
24	11001765	SUPPOR.CONNETTORI CALDAIA P124 NERO		24	11001765	BLACK BOILER CONNECTORS SUPPORT P124	
25	11000805	COPERTURA ISOLANTE CALDAIA P124/C NERA	230V	25	11000805	BLACK INSULATING COVER BOILER P124/C	230V
	11004317	COPERTURA ISOLANTE CALDAIA P124/C UL NER	120V		11004317	BLACK INSULATING COVER BOILER P124/C UL	120V
26	12000361	FASCETTA OETIKER D=9 16702491		26	12000361	OETIKER CLAMP D=9 16702491	
27	U140.014	PANELVIT TCB 3,5X16 DIN 7505 B ZNP		27	U140.014	PANELVIT TCB 3,5X16 DIN 7505 B GAL	
28	U046.003	VITE TCBC M4,0X12 ROND.DENT.8,5 ZNP		28	U046.003	SCREW TCBC M4,0X12 INDENT. WASH.8	
29	U302.003	DADO ESAGONALE M4 UNI 5588 ZNP		29	U302.003	NUT HEXAGONAL M4 UNI 5588	
30	129573202	VITE TCB PH/TT 4X8 UNI 8112 ZNP		30	129573202	SCREW TCB PH/TT 4X8 UNI 8112 ZNP	
31	16000380	TUBO SIL.RETINATO 5X8,5 REHAU MATASSA		31	16000380	5X8,5 SILICONE TUBE IN ROLL	
32	9972.247	TUBO SILICON.5X10 L=2000MM 60 SHORE		32	9972.247	SILICONE TUBE 5X10 L.2000 MM	
	20000480	KIT RICAMB.VALV.MULTIVIE C/TUBI P124/B-C CON PART. N°02-03-04-05-06-07-08-09-13-14-20 26-27-28-29-31-32			20000480	SPARES KIT FOR VALVE P124/B-C WITH PART. N°02-03-04-05-06-07-08-09-13-14-20 26-27-28-29-31-32	

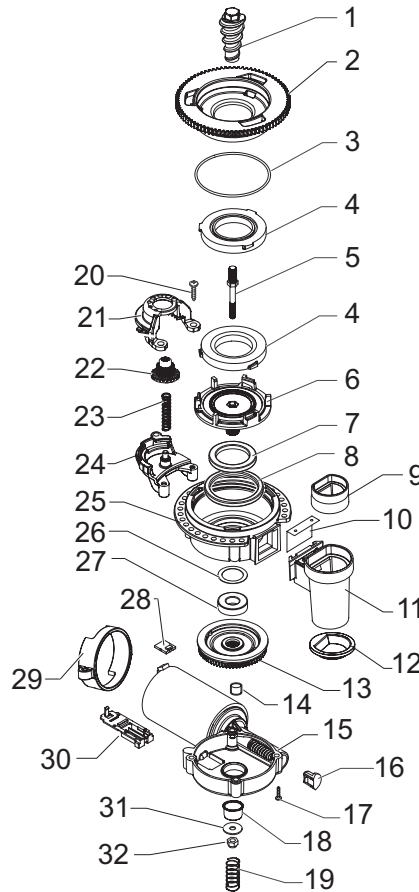


SUP030ND

PRIMEA 2007

Rev. 00 - 07/05/07

TAVOLA 8/10



SUP030ND

PRIMEA 2007



Cod.10001839-60-63-64-68-71

Cod.10001872-78-79-80-81

POS	CODICE	DESCRIZIONE	NOTE	POS	CODE	DESCRIPTION	NOTE
01	9141.001	VITE DI INCREMENTO		01	9141.001	SCREW OF INCREMENT	
02	149198250	SUPPORTO SUP.MACINA MACINACAFFE V3 NER.		02	149198250	UPPER GRINDER SUPPORT COFFEEGRINDER	
03	140328960	OR METRICO 0530-15 IN NBR FDA		03	140328960	NBR FDA OR METRIC 0530-15	
04	146520100	MACINA 48X28 IN CERAMICA		04	146520100	BAKED CLAY GRINDER 48X28	
05	127473603	PERNO M4-M6 X VITE DI INCREMENTO AC/ZINC		05	127473603	STEEL PIN M4-M6 FOR INCREMENT SCREW	
06	149198350	SUPPORTO INF.MACINA MACINACAFFE V3 NER.		06	149198350	LOWER GRINDER SUPPORT COFFEEGRINDER	
07	123030300	CUSCINETTO ASSIALE EKKO 342.35252		07	123030300	AXIAL BEARING EKKO 342.35252	
08	140360500	ANELLO IN FELTRO DE=45,4 DI=39,4H=4		08	140360500	FELT RING 45,4X39,4X4	
09	145854360	GUARNIZ.SUP.CONT.CAFFE' MACINATO SMART1		09	145854360	GROUND COFFEE CONT.SEAL UPPER SMART1	
10	129024921	SQUADRETTA X CONVOGLIATORE USCITA CAF.		10	129024921	BRACKET FOR COFFEE OUTLET CONVEYOR	
11	222870250	AS.CONV.USCITA CAF.MACINATO SMART1NER		11	222870250	GROUND COFFEE OUTLET CONVEYOR ASSY.	
12	145854462	GUARNIZ.INF.CONT.CAFFE' MACINATO SMART1		12	145854462	GROUND COFFEE CONT.SEAL LOWER SMART1	
13	226000300	AS.ING.SX Z=38 X MOVIM.MACINA C/CALAMITA		13	226000300	GEAR SX Z=38 FOR GRINDER MOTION ASSY.	
14	122100300	CALAMITA X VENTOLA TURBINA		14	122100300	MAGNET FOR TURB. FAN	
15	11004354	AS.MOTORE MC/V3.1 MOD=1,25 SX IME	230V	15	11004354	MOTOR COFFEEGRINDER/V3.1 IME 230V ASSY.	230V
	11004409	AS.MOTORE MC/V3.1 MOD=1,25 SX IME	120V		11004409	MOTOR COFFEEGRINDER/V3.1 IME 120V ASSY.	120V
	11004410	AS.MOTORE MC/V3.1 MOD=1,25 SX IME	100V		11004410	MOTOR COFFEEGRINDER/V3.1 IME 100V ASSY.	100V
16	149214800	TAPPO CENTRAG.VITE S/FINE MOD=1,25 MC/V3		16	149214800	CAP FOR WORM SCREW MC/V3 CENTRING	
17	129661702	VITE PANELVIT TCB 3,5X30 D.7505 ZNP		17	129661702	PANELVIT TCB SCREW 3,5X25 D.7505 ZN	
18	11002873	BOCCOLA ISOLANTE X MOTORE MC P124 NERA		18	11002873	INSULATOR BUSH FOR GRINDER MOTOR P124	
19	11000597	MOLLA DI SUPPORTO MOTORE MC P124 ACC.		19	11000597	COFFEE GRINDER SUPPORT SPRING P124	
20	129660102	VITE PANELVIT TCB 3,5X18 D.7505 ZNP		20	129660102	PANELVIT TCB SCREW 3,5X18 D.7505 Z	
21	11002508	SUPPOR.SUP.INGR.REGOL.MACINAT.P124 NERO		21	11002508	UPPER GEAR SUPPORT COFFEEGRINDER P124	
22	11002509	INGRAN.Z=14-24 REGOL.MACIN.CAF.P124 NERO		22	11002509	COFFEE GRINDING ADJUSTMENT GEAR P124	
23	11002572	MOLLA REGOLAZIONE MACINACAFFE' P124 AC.		23	11002572	GRINDER REGULATION SPRING P124	
24	11002613	SUPPOR.INF.INGR.REGOL.MACINAT.P124 NERO		24	11002613	LOWER GEAR SUPPORT COFFEEGRINDER P124	
25	142905450	CORPO SUP.C/USCITA CAFF.MACINATO MC NER		25	142905450	UPPER BODY WITH COFFE.GROUND OUTLET	
26	128381800	RONDELLA DI BILANCIAMENTO 21,8X14X0,25		26	128381800	CRINKLE WASHER 21,8X15,8X0,2	
27	123030200	CUSCINETTO RADIALE 61900.2RS1		27	123030200	RADIAL BEARING 61900.2RS1	
28	181540900	BAS.ELET.C/SENSORE HAL 506 SF-K C/CONNET		28	181540900	ELECTRONIC BOARD WITH SENSOR HAL506	
29	11000194	SUPPORTO MOTORE MACINACAFFE' P124 NERO		29	11000194	BLACK GRINDER MOTOR SUPPORT P124	
30	149199050	SUPPORTO SENSORE TERMICO X MOTORE MC		30	149199050	SENSOR SUPPORT FOR COFF.GRIND.MOTOR	
31	128381902	RONDEL.PIANA DI=4,3 DE=14 SP=1,5 AC/ZINC		31	128381902	GALVAN.FLAT WASH.DI=4,3 DE=14 SP=1,5	
32	123453102	DADO AUTOBLOC.M4 DIN982 TYP ALTO ZN		32	123453102	SELF LOCK NUT M4 DIN 982 HIGH GALV.	
	11000676	AS.GEN.MOTORE MACINACAFFE' P124 230V			11000676	GENERAL MOTOR MC P124 230V ASSY.	
	11004442	AS.GEN.MOTORE MACINACAFFE' P124 120V			11004442	GENERAL MOTOR MC P124 120V ASSY.	
	11004444	AS.GEN.MOTORE MACINACAFFE' P124 100V			11004444	GENERAL MOTOR MC P124 100V ASSY.	

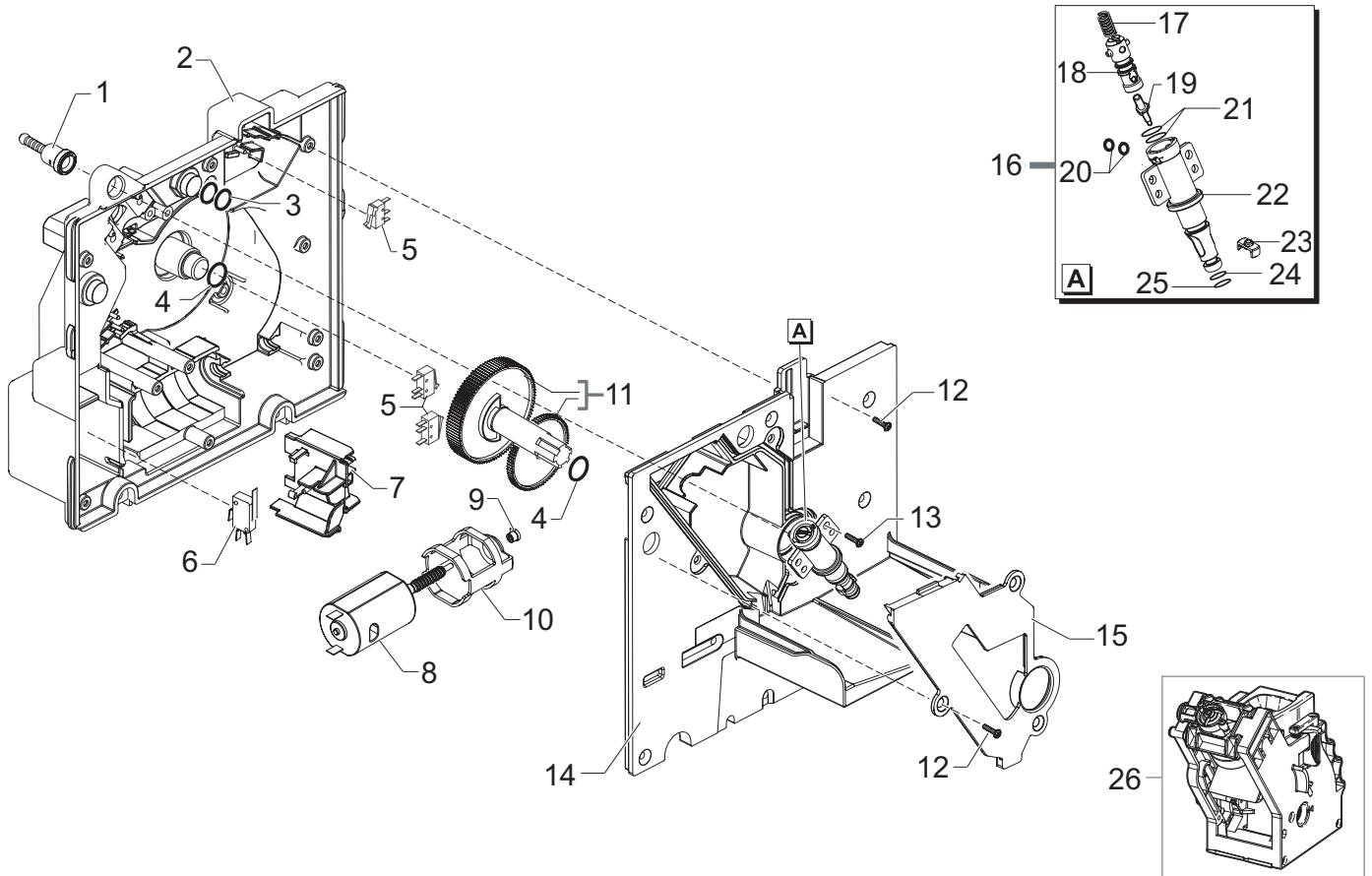


SUP030ND

PRIMEA 2007

Rev. 00 - 07/05/07

TAVOLA 9/10



Saeco
INTERNATIONAL GROUP

SUP030ND

PRIMEA 2007



Cod.10001839-60-63-64-68-71

Cod.10001872-78-79-80-81

POS	CODICE	DESCRIZIONE	NOTE
01		PARTICOLARE NON DISPONIBILE	VEDI PAR.N°12 TA.8/10
02	11000688	AS.PIASTR.DI MONTAG.MOTORID.C/PERNO P124	
03	140325462	OR METRICO 0070-20 IN SILICONE	
04	9161.132	RONDELLA MYLAR X MOTORIDUTTORE	
05	NE05.038	MICROINTERRUTTORE	
06	186724200	MICROINTERRUTTORE SAIA X3M502K2KAJ32AV	230V
	12000665	MICROINTERRUTTORE SAIA X3M502K2AAJ32AV	120V
07	11002385	SUPP.MICRO CASS.RACC.FONDI P124 NERO	
08	11005214	AS.MOTORE MOTORID.C/2COND.INT.SME P124	CON PART. N°10
09	9121.046	BOCCOLA SINTERIZZATA X MOTORE	
10	9121.044	ANTIVIBRANTE X MOTORE	
11	20000455	KIT RICAMBI INGRANAGGI MOTORIDUTTOR.P124	
12	129914102	VITE TORX K 35X12 WN 1423 ZINCATA	
13	U109.040	VITE AUT.TCB 3,9X32 DIN 7981 C NIK	
14	11001966	COPERTURA PIASTRA MONTAGGIO P124 NERO	
15	142856550	COPERTURA VANO CALDAIA P119 NERA	
16	11005060	AS.PERNO V2 X CALDAIA P119	
17	9011.132	MOLLA X SPILLO	
18	11003820	TAPPO V2 X PERNO CALDAIA P119	
19	227660103	AS.PISTONCINO C/GOLA L=20,9 OTT/NIK	
20	140328059	OR 2015 IN SILICONE PTFE/FDA	
21	140324459	OR METRICO 0060-20 SILICON.PTFE/FDA	
22	11003801	PERNO V2 X CALDAIA P119	
23	11005099	CURSORE V2 X CALDAIA P119	
24	NM01.035	OR ORM 0090-20 SILICONE	
25	NM01.057	OR ORM 0050-20 SILICONE	
26	11005921	GRUPPO CAFFE V2 P124/SBS 8GR.NERO	
		VEDI COD. ESPLOSO E90060	

POS	CODE	DESCRIPTION	NOTE
01		PARTICULAR NOT AVAILABLE	SEE PAR.N°12 TA.8/10
02	11000688	MOUNTING PLATE WITH PIN P124 ASSY.	
03	140325462	OR METRIC 0070-20 IN SILICONE	
04	9161.132	MYLAR WASHER FOR RATIOMOTOR	
05	NE05.038	MICROSWITCH	
06	186724200	MICROSWITCH SAIA X3M502K2KAJ32AV	230V
	12000665	MICROSWITCH SAIA X3M502K2AAJ32AV	120V
07	11002385	MICROSWITCH FOR DUMP BOX SUPPORT P124	
08	11005214	SME MOTOR FOR RATIOMOTOR P124 ASSY.	WITH PART. N°10
09	9121.046	SINTERED BUSH FOR MOTOR	
10	9121.044	ANTIVIBRATION FOR MOTOR	
11	20000455	SPARES KIT GEARS FOR RATIOMOTOR P124	
12	129914102	SCREW K 35X12 WN 1423 GALVANIZED	
13	U109.040	SCREW AUT.TCB 3,9X32 DIN 7981 C	
14	11001966	BLACK COVER FOR MOUNTING PLATE P124	
15	142856550	BLACK COVER FOR VAIN BOILER P119	
16	11005060	PIN V2 FOR BOILER P119 ASSY.	
17	9011.132	SPRING FOR PIN	
18	11003820	CAP V2 FOR PIN BOILER P119	
19	227660103	BRASS PISTON L=20,9 ASSY.	
20	140328059	OR 2015 IN SILICONE PTFE/FDA	
21	140324459	OR METRICO 0060-20 SILICON.PTFE/FDA	
22	11003801	PIN V2 FOR BOILER P119	
23	11005099	CURSOR V2 FOR BOILER P119	
24	NM01.035	OR ORM 0090-20 SILICONE	
25	NM01.057	OR ORM 0050-20 SILICONE	
26	11005921	BLACK BREW UNIT 8GR.V2 P124/SBS	
		SEE COD. EXP. E90060	

Saeco
INTERNATIONAL GROUP

SUP030ND

PRIMEA 2007

Rev. 00 - 07/05/07

TAVOLA 10/10