

Saeco
Vending

RI9840/01 SUP041

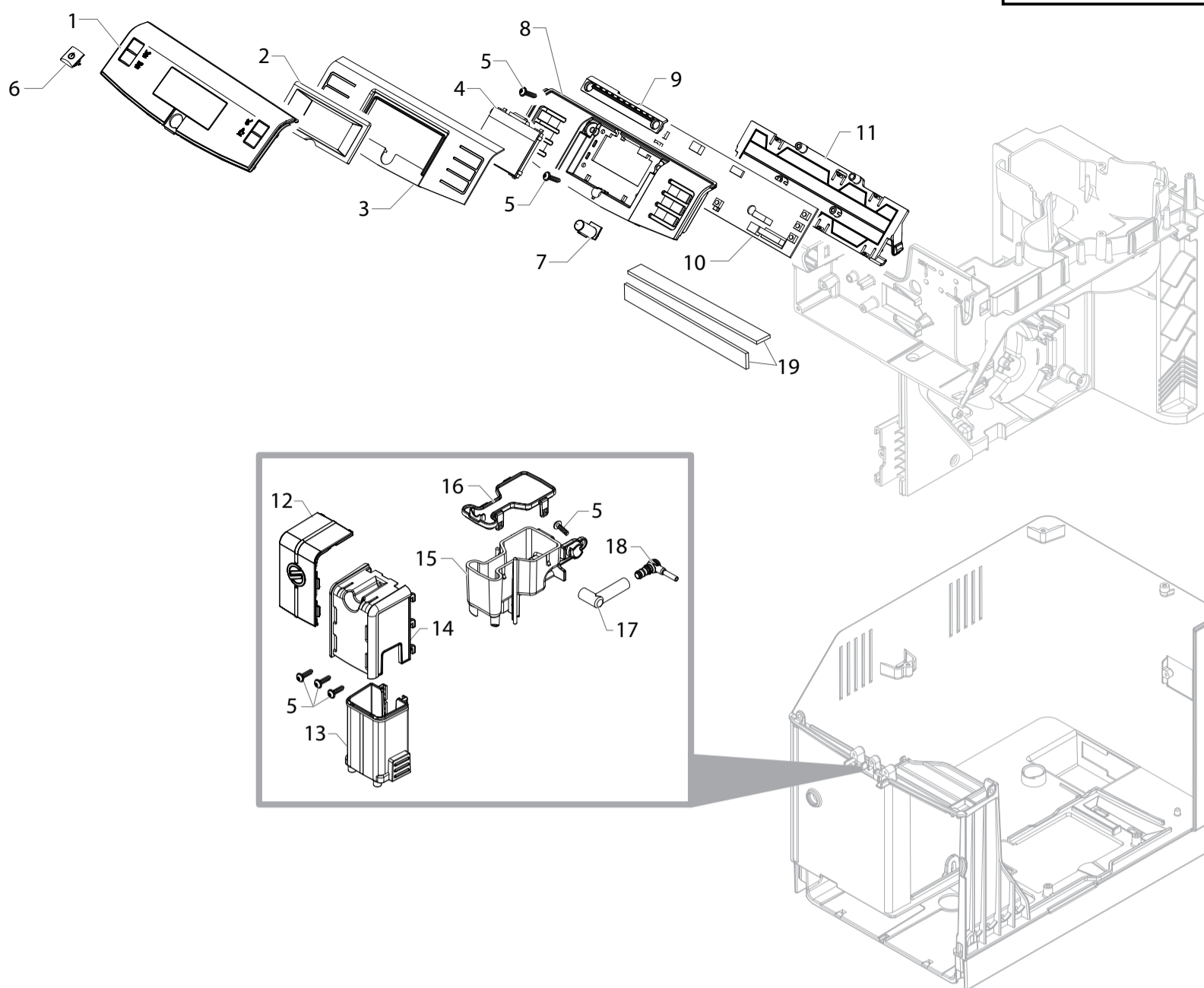
CE Cod. 10004476

POS	CODE	DESCRIPTION	NOTE	POS	CODE	DESCRIPTION	NOTE
01	17002134	TRANSP/GREY BEAN COFFEE CONTAINER SMRO		33	421940440311	MANUAL SAE RI9840 SMRO/B PT	
02	11003785	BLACK GRINDER ADJUSTMENT KEY P0049			421940440321	MANUAL SAE RI9840 SMRO/B NL	
03	183911050	BLACK POWER CABLE SCHUKO L=1200			421940440331	MANUAL SAE RI9840 SMRO/B SV	
04	129913202	SCREW TCB TORX 10 3X8 PLAST.ZN-B			421940440341	MANUAL SAE RI9840 SMRO/B GR	
05	421944009401	PS-E UPPER INSERT FOR BOX SMRO			421940440351	MANUAL SAE RI9840 SMRO/B PL	
06	13001671	PS-E LOWER INSERT FOR BOX SMR			421940440361	MANUAL SAE RI9840 SMRO/B RU	
07	421940312311	HAVANA BOX SMRO			421940440371	MANUAL SAE RI9840 SMRO/B HU	
08	421941304791	RED/3003 FLOAT FOR DRIP TRAY XSM			421940440381	MANUAL SAE RI9840 SMRO/B CS	
09	17001568	MATT/BLACK DRIP TRAY SMR/B-H-P			421940440391	MANUAL SAE RI9840 SMRO/B SK	
10	17001032	SB/SS GRATE FOR DRIP TRAY SMR/B-H-P			421940440401	MANUAL SAE RI9840 SMRO/B RO	
11	17001213	MATT/BLACK DRIP TRAY INSERT SMR			421940440411	MANUAL SAE RI9840 SMRO/B BG	
12	12000280	CUP SOCKET EN 60320 C 13		34	17002141	BLACK BEAN COFFEE CONTAINER LID SMRO	
13	17001005	BLACK DUMP BOX INSERT NPR		35	11031523	BLACK INFRAREDS PLATE RYL	
14	17001503	BLACK DUMP BOX SMR		36	9161.111	MAGNET FOR FLOAT SUPERAUT.	
15	17001556	TRANSP.SILICONE FOOT SMR		37	11013220	STEEL PLATE FOR DOOR MAGNET XSM	
16	17001504	MATT/BLACK CASING SMR		38	17001065	MATT/BLACK RIGHT SIDE DOOR SMR	
17	421941302501	CPU+SW SMRO 230V ASSY.		39	421944009381	M/BLK UPP.CASING COVER S/SCR.SMRO	
18	17001484	MATT/BLK REAR CASING PROGRAM.INSERT NPR		40	242212625104	SWI POW 2P 12A 250V FASTON GP12H B	
19	17001025	MATT/BLACK FRONT PANEL CAP SMR					
20	421944009361	TRANSP/GRY WATER CONTAINER SMRO ASSY.					
21	17001366	BLACK LID FOR DUCKBILL VALVE SMR					
22	11003671	TRANSP.VALVE FOR WATER CONTAINER P0049					
23	11003673	GREY WATER CONTAINER VALVE INSERT P0049					
24	11003672	SS SPRING FOR WATER CONTAIN.VALVE P0049					
25	140328461	OR ORM 0190-10 EPDM					
26	224640200	WHITE WATER CONTAINER EXT.FILTER ASSY.	WITH PART.25				
27	11023155	BLACK WATER CONTAINER HANDLE MDS					
28	17001474	BLACK WATER LEVEL SENSOR SUPPORT SMR					
29	11003232	AS.CPU+SW WATER LEVEL SENSOR V2					
30	421946000021	3POLES CONNECTOR WATER LEVEL SMR UL					
31	12001728	SCREW TCB TORX 10 3,5X12 PLAST.SS					
32	17002142	BLACK WATER CONTAINER LID SMRO					
33	421940440261	MANUAL SAE RI9840 SMRO/B IT					
	421940440271	MANUAL SAE RI9840 SMRO/B GB					
	421940440281	MANUAL SAE RI9840 SMRO/B DE					
	421940440291	MANUAL SAE RI9840 SMRO/B FR					
	421940440301	MANUAL SAE RI9840 SMRO/B ES					

Saeco
Vending

OCS SAECO LIRIKA

TABLE 1/6



Saeco
Vending

RI9840/01 SUP041

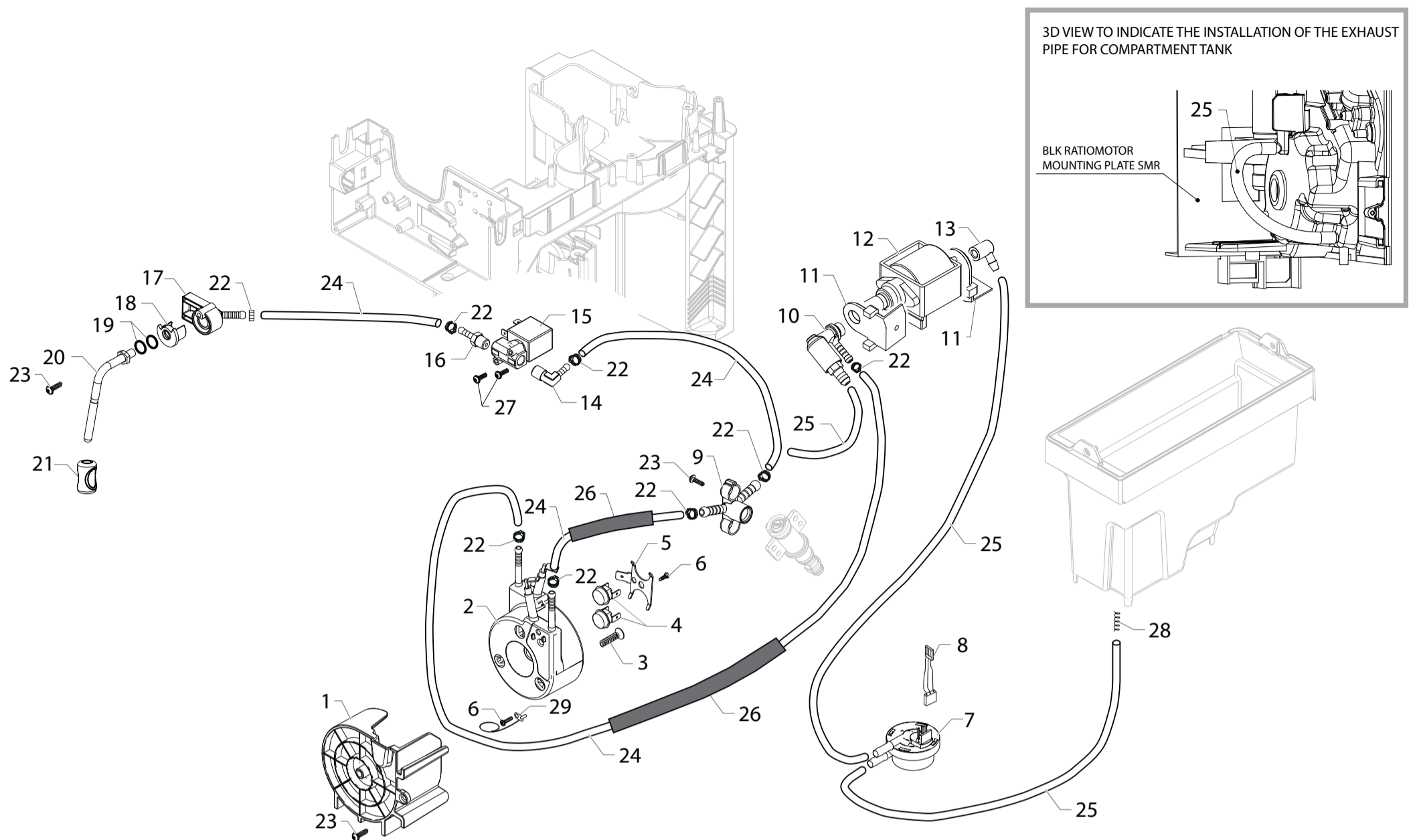
CE Cod. 10004476

POS	CODE	DESCRIPTION	NOTE	POS	CODE	DESCRIPTION	NOTE
01	421944009321	SS DISPLAY FRONT PANEL S/SCR.SMRO/B ASSY					
02	17001270	BLACK DISPLAY FRAME SMR					
03	421944009001	BLACK V2 FRONT PANEL MEMBRANE SMR/H-P-T					
04	421941300941	DISPLAY LCD 128X64 SMR					
05	12000450	SCREW TCBR TORX 10 3,5X12 PLAST.ZN-N					
06	421944009351	TRANSP.STAND-BY BUTTON S/SCR.SMRO					
07	17002075	WHITE STAND-BY BUTTON LIGHT GUIDE SMR					
08	17001265	BLACK DISPLAY SUPPORT SMR					
09	17001253	BLK FRONT.PANEL MEMBRANE SUPP.SMR/H-P-T					
10	11030966	KYB - DISPLAY SMR					
11	17000704	BLACK DISPLAY KEYBOARD SUPPORT SMR					
12	17002122	SS COFFEE DISPENS.FRONT PLATE SMR ASSY.					
13	421944008261	M/BLK COF.DISPEN.MOBILE PART SMR ASSY.					
14	17002059	MATT/BLACK COFFEE DISPENSER LID SMR					
15	17001022	BLACK COFFEE DISPENSER BODY SMR					
16	17002107	BLACK COFFEE DISPENSER BODY LID SMR					
17	17000955	TRANS.BREW UNIT COF.OUTLET CONN.TUBE SMR					
18	17001849	BLK BREW UNIT COFFEE OUTLET CONNECT.SMR					
19	421944008251	BLK ADH.AERSTOP SMR					

Saeco
Vending

OCS SAECO LIRIKA

TABLE 2/6



Saeco
Vending

RI9840/01 SUP041

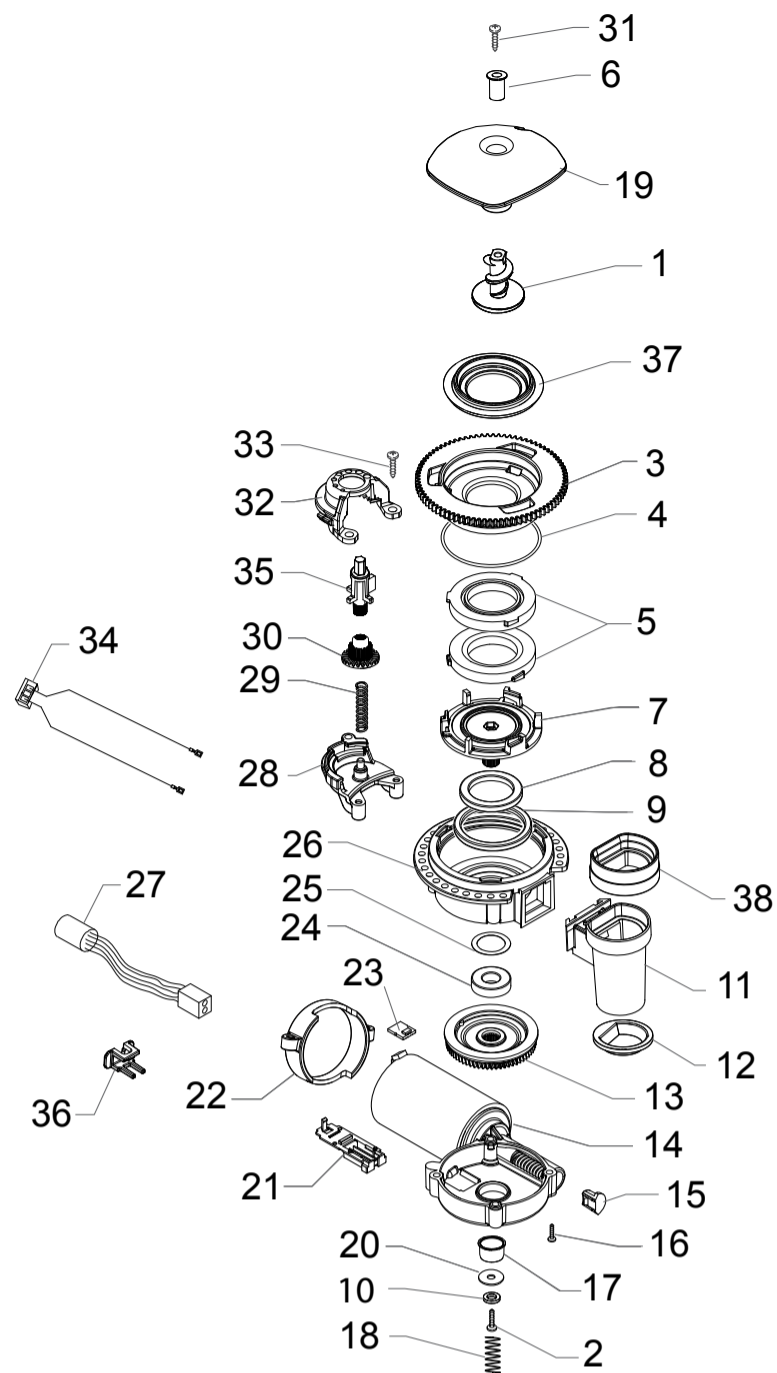
CE Cod. 10004476

POS	CODE	DESCRIPTION	NOTE	POS	CODE	DESCRIPTION	NOTE
01	17001661	BLACK SLIM TUB. BOILER SUPPORT SMR					
02	17000346	HP/SLIM TUB. BOILER 1900W 230V ASSY.	230V - 50HZ				
03	12001280	SCREW TSP TORX 10 5X20 PLAST.ZN-B					
04	12001033	THERMOSTAT ONE SHOT 190°					
05	11001751	TUB. BOILER V3 UPPER THERM. FIXING SPRING					
06	12001715	SCREW TCB TORX 20 M4X8 AUTOFORMING ZN-B					
07	NV99.099	TURBINE D=1,2 932-8521/00 ASSY.					
08	17800686	3POLES CONNECTOR FLOWMETER SMR UL					
09	17000727	BLACK CONNECTOR FOR PIN BOILER SMR					
10	11004689	TEA/BRASS SAFETY VALVE 16-18 BAR ASSY.					
11	149205850	BLACK TYPE ULKA PUMP W/BEVEL SUPPORT					
12	12000140	ULKA PUMP EP5/S GW	230V-50HZ				
13	11002149	BLACK PUMP OUTLET 90° CONNECTOR P0049/A					
14	11024469	L-F/BRASS CONNECTOR FOR BOILER AURA					
15	11024038	BRASS 2WAY EV 21JN1RRV20-XT+LBV05024CU					
16	11024868	L-F/BRASS CONNECT.FOR ALUM.BOILER					
17	17001029	STEAM TUBE SUPPORT SMR					
18	17001028	BLACK BUSH FOR STEAM TUBE SMR					
19	140324461	OR ORM 0060-20 TERMOIL					
20	11030926	TF/CHROM. STEAM TUBE SMR ASSY.					
21	11008991	BLACK STEAM TUBE HANDGRIP P604					
22	12000892	OETIKER CLAMP D=9,5 16700004					
23	12000450	SCREW TCB TORX 10 3,5X12 PLAST.ZN-N					
24	16000380	5X8,9 SILICONE TUBE	IN ROLL				
25	JS01.022	SILICONE TUBE 5X10 60SH	IN ROLL				
26	16000540	TRANSPAR. 11X12,8 SILICONE TUBE	IN ROLL				
27	129823802	TCB SCREW M4X8 UNI 7687 ZNP					
28	0701.081	SPRING FOR TUBE PRODUCT 1					
29	17800628	TEMPERATURE SENSOR NTC ULL L=550MM					
	421941300801	HP/SLIM TUB. BOILER SMR 1900W 230V ASSY.	COMPLETE				

Saeco
Vending

OCS SAECO LIRIKA

TABLE 3/6



Saeco
Vending

RI9840/01 SUP041

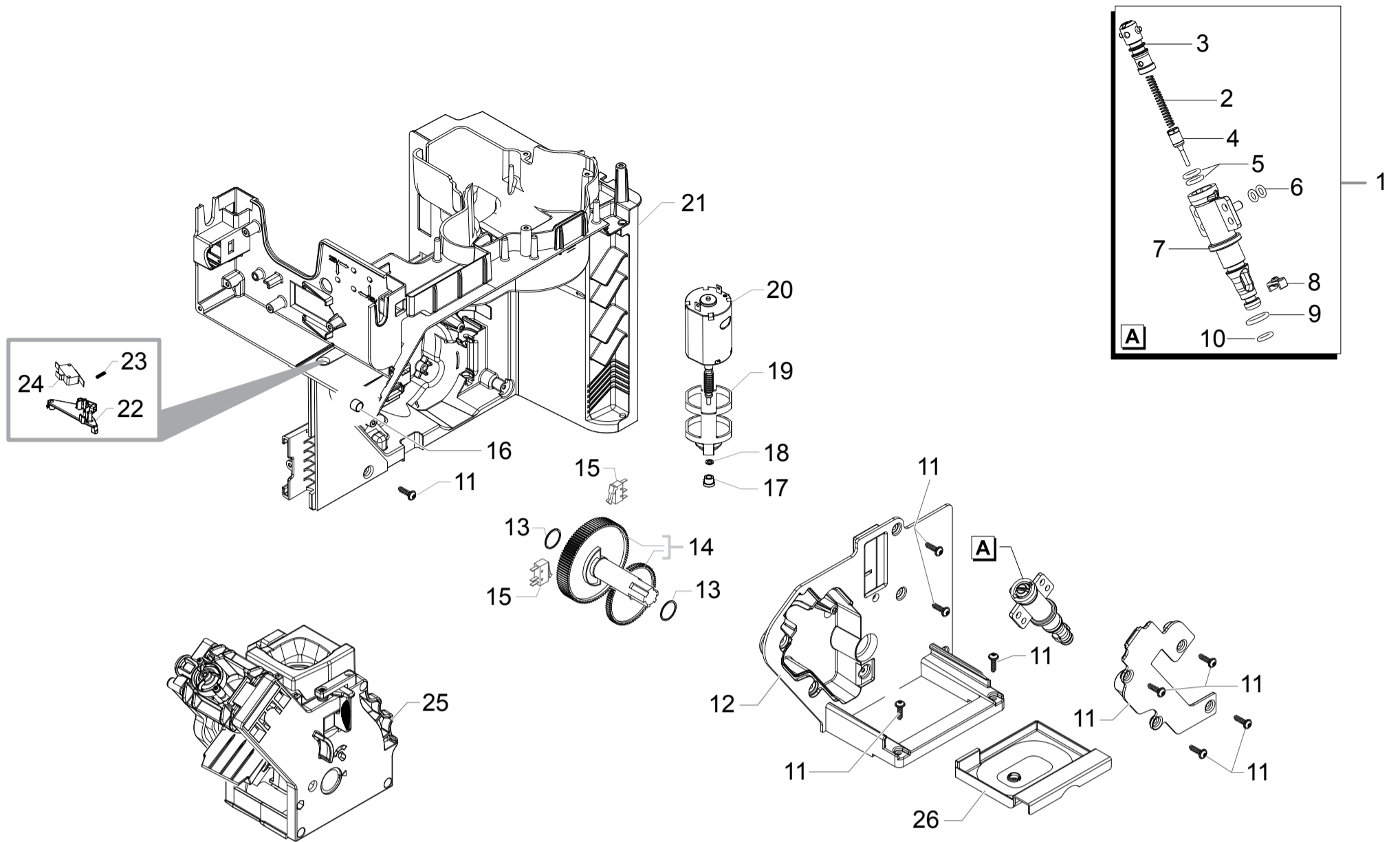
CE Cod. 10004476

POS	CODE	DESCRIPTION	NOTE	POS	CODE	DESCRIPTION	NOTE
01	11010031	TEAZAMA INCREASE SCREW GRINDER					
02	129574802	SCREW TCB TORX 20 M4X30 ZN-B					
03	149198250	BLK UPPER COFFEEGRINDER GRINDER SUPPORT					
04	140328960	OR ORM 0530-15 NBR FDA					
05	146520100	BAKED CLAY GRINDER 48X28					
06	11012466	BRASS BUSH BEAN CONT.FINGER PROTEC.P0057					
07	149198350	BLK LOWER COFFEEGRINDER GRINDER SUPPORT					
08	123030300	AXIAL BEARING EKKO 342.35252					
09	140360500	FELT RING 45,4X39,4X4					
10	128310402	GALV.WASHER UNI 8842 A4					
11	11026355	BLK GROUND COFF.OUTLET CONVEYOR V4 ASSY.					
12	11030459	GRY GROUND COFFEE CONT.LOWER SEAL SMART1					
13	226000300	GEAR SX Z=38 FOR GRINDER MOTION ASSY.					
14	11000513	MOTOR COFFEEGRINDER V3.1 230V ASSY.					
15	149214800	MC V3 MOD=1,25 WORM SCREW CENTRING CAP					
16	129661702	SCREW TCB TORX 3,5X30 PLAST.ZN-B					
17	11002873	INSULATOR BUSH FOR GRINDER MOTOR P124					
18	11000597	STEEL COF.GRINDER SUPPORT SPRING P124					
19	17001008	TRANS.BEAN CONTAIN.FINGER PROTECT.SMR UL					
20	128381902	STEEL FLAT WASHER DI=4,3 DE=14 SP=1,5					
21	149199050	BLK SENSOR SUPPORT FOR COF.GRINDER MOTOR					
22	11000194	BLACK COFFEEGRINDER MOTOR SUPPORT P124					
23	181540900	ELECTR.BOARD WITH SENSOR HAL506 SF-K					
24	123030200	RADIAL BEARING 61900.2RS1					
25	128381800	STEEL CRINKLE WASHER 21,8X14X0,25					
26	142905450	BLK UPPER BODY WITH COFFEE GROUND OUTLET					
27	17800687	3POLES CONNECTOR MC SENSOR SMR UL					
28	11002613	LOWER COFFEEGRINDER GEAR SUPPORT P124					
29	11002572	COFFEEGRINDER REGULATION SPRING P124					
30	11003784	COFFEE GRINDING ADJUSTMENT GEAR P0049					
31	U043.004	ZN-B TCB SCREW M4X16					
32	11002508	UPPER COFFEEGRINDER GEAR SUPPORT P124					
33	129914002	SCREW TCB TORX 10 3,5X16 PLAST.ZN-B					
34	421946000941	2 P.CONN. GRINDER MOTOR W/FUSE SMRO UL					
35	11003446	BLACK BEAN COFFEE GRINDER INSERT P0049					
36	17001921	BLK WIRING FIX INSERT FOR GRINDER BOARD					
37	145857062	COFFEE GRINDER SEAL P119					
38	145854360	BLK GROUND COFFEE CONT.UPPER SEAL SMART1					
	421941305941	GEN.MOTOR COF.GRINDER SMRO 230V ASSY.	COMPLETE				

Saeco
Vending

OCS SAECO LIRIKA

TABLE 4/6



Saeco
Vending

RI9840/01 SUP041

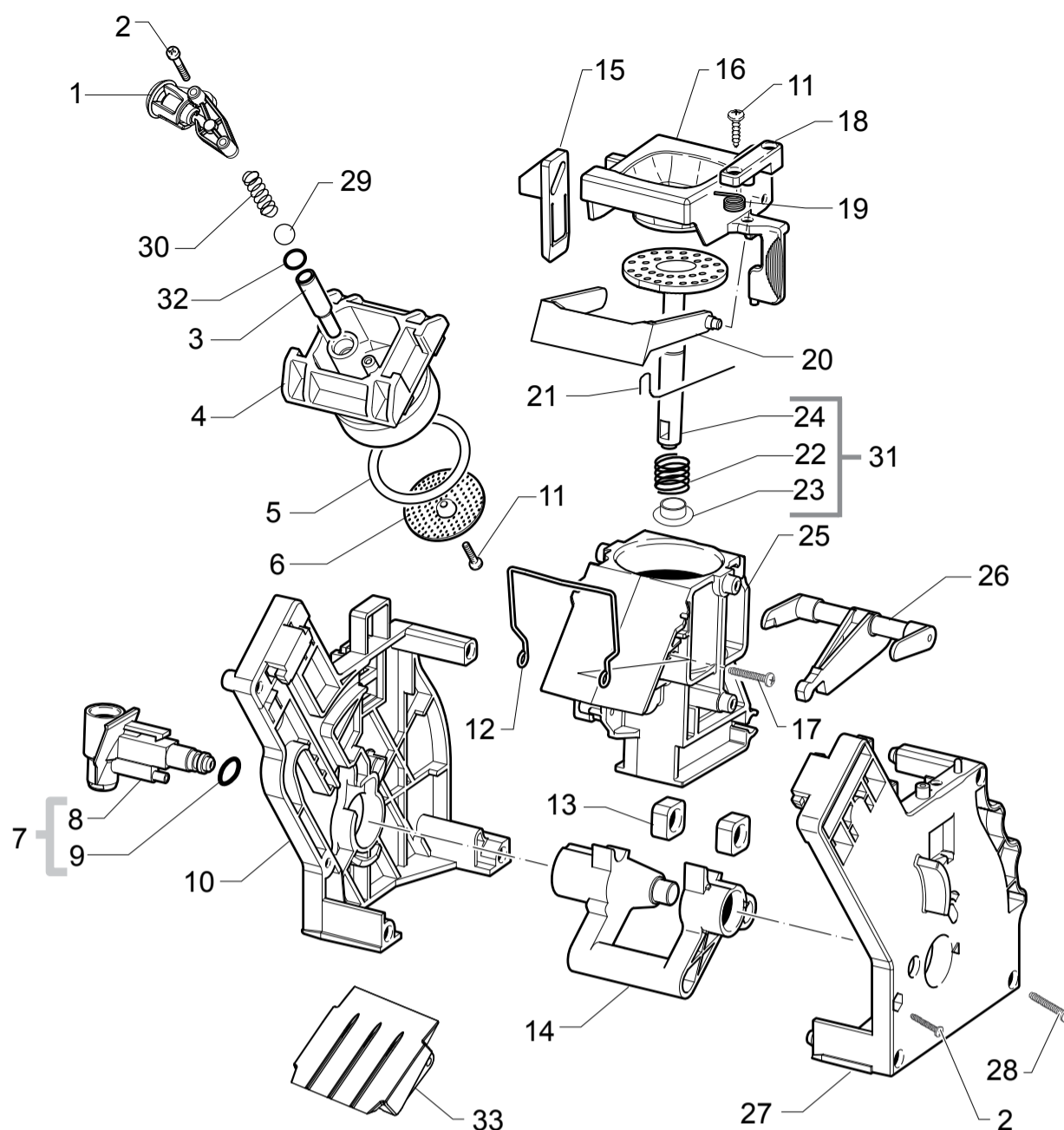
CE Cod. 10004476

POS	CODE	DESCRIPTION	NOTE	POS	CODE	DESCRIPTION	NOTE
01	11005060	PIN V2 FOR BOILER P119 ASSY.					
02	9011.132	SS SPRING FOR PIN					
03	11003820	BLACK CAP V2 FOR PIN BOILER P119					
04	11009019	TEA/BRASS PISTON L=20,9 ASSY.					
05	140324459	OR ORM 0060-20 SILICONE PTFE/FDA					
06	140328059	OR 2015 SILICONE PTFE/FDA					
07	11003801	NAT.PIN V2 FOR BOILER P119					
08	11005099	NATURAL CURSOR V2 FOR BOILER P119					
09	NM01.035	OR ORM 0090-20 SILICONE					
10	NM01.057	OR ORM 0050-20 IN SILICONE					
11	12001728	SCREW TCBR TORX 10 3,5X12 PLAST.SS					
12	17001839	BLK RATIOMOT.MOUNTING PLATE COVER SMR					
13	9161.132	MYLAR WASHER FOR RATIOMOTOR					
14	20000900	SPARES KIT GEARS FOR RATIOMOTOR V2					
15	12001841	MICROSWITCH XCV4D					
16	9161.111	MAGNET FOR FLOAT SUPERAUT.					
17	9121.046	BRONZE SINTERED BUSH FOR MOTOR RATIOMOT.					
18	148380200	BAKELIZZATE WASHER D=5,5					
19	9121.044	ANTIVIBRATION FOR MOTOR					
20	11005214	MOTOR FOR RATIOMOTOR P124 ASSY.					
21	421944011451	BLK RATIOMOTOR MOUNTING PLATE V2 SMR ASS					
22	17001508	BLACK MICRO COMPENSATOR SMR					
23	421944006861	SPRING FOR MICRO COMPENSATOR SMR					
24	12001890	MICROSWITCH XGV3D					
25	421941300331	BLK BREW UNIT 8GR.8BAR SMR					
26	421944008911	BLK BREW UNIT DRAWER COFFEE SMR					

Saeco
Vending

OCS SAECO LIRIKA

TABLE 5/6



Saeco
Vending

RI9840/01 SUP041

CE Cod. 10004476

POS	CODE	DESCRIPTION	NOTE	POS	CODE	DESCRIPTION	NOTE
01	11009362	BLK COF.OUTLET SLEEVE BREW UNIT S0053 AS					
02	12000550	SCREW TCB TORX 10 3X25 PLAST.SS					
03	11009276	BLK COUNTER PISTON TUBE BREW UNIT S0053					
04	11001840	BLACK COUNTER PISTON BREW UNIT 8GR.P124					
05	NM01.044	OR ORM 0320-40 SILICONE PTFE/FDA					
06	9161.268	PERCOLATOR DE=35,8 ELFO					
07	20000440	BLACK WATER INLET SLEEVE BREW UNIT ASSY.					
08	9161.064.050	BLACK WATER INLET SLEEVE BREW UNIT ROYAL					
09	NM02.007	OR 2025 IN TERMOIL					
10	9161.375.050	BLACK BREW UNIT REAR PLATE SMART					
11	12000895	SCREW TSP TORX 10 3X10 PLAST.SS					
12	11001556	SS BREW UNIT SPRING H=49 SMART					
13	9161.094.150	GREY BREW UNIT DRILLED BLOCK					
14	9161.066.050	BLACK BREW UNIT ELBOW SHAFT M5000					
15	9161.373.050	BLACK BREW UNIT COUPLING PLATE SMART					
16	149261350	BLACK HOPPER DOSER BREW UNIT SMART1					
17	129912521	SCREW TCB TORX 10 3,5X14 PLAST.SS					
18	9161.374.050	BLK BREWUNIT HOPPER BLOCKING PLATE SMART					
19	9161.378	SS HOPPER SPRING FOR BREW UNIT SMART					
20	11004161	BLACK SCRAPER FOR BREW UNIT M5000					
21	9161.046	SS SCRAPER SPRING FOR BREW UNIT					
22	9161.198	SS.8GR.BREW UNIT PISTON SPRING					
23	9161.191	WHITE 8GR.-12GR.BREW UNIT PISTON BUSH					
24	11003077	BLK BREW UNIT INTEGRAL PISTON 8GR.ASSY.					
25	11003075	BLACK COFFEE CONTAINER BREW UNIT P124					
26	11003078	BLACK CONNECTING ROD BREW UNIT 8GR.					
27	11005920	BLACK BREW UNIT FRONT PLATE S/SCR.SMART					
28	12000897	SCREW TCB TORX 10 3,5X20 PLAST.SS					
29	9991.168	GLASS SPHERE D.5 MM					
30	9161.222	SS.CONICAL SPRING					
31	11023086	BLK 8GR.BREW UNIT NTEGR.PISTON GEN.ASSY.					
32	140328761	OR ORM 0060-15 TERMOIL					
33	17000737	BLACK BREW UNIT CONVEYOR SLIDE L=56,3					
	421941300331	BLK BREW UNIT 8GR.8BAR SMR					

Saeco
Vending

OCS SAECO LIRIKA

TABLE 6/6