

Service Service Service



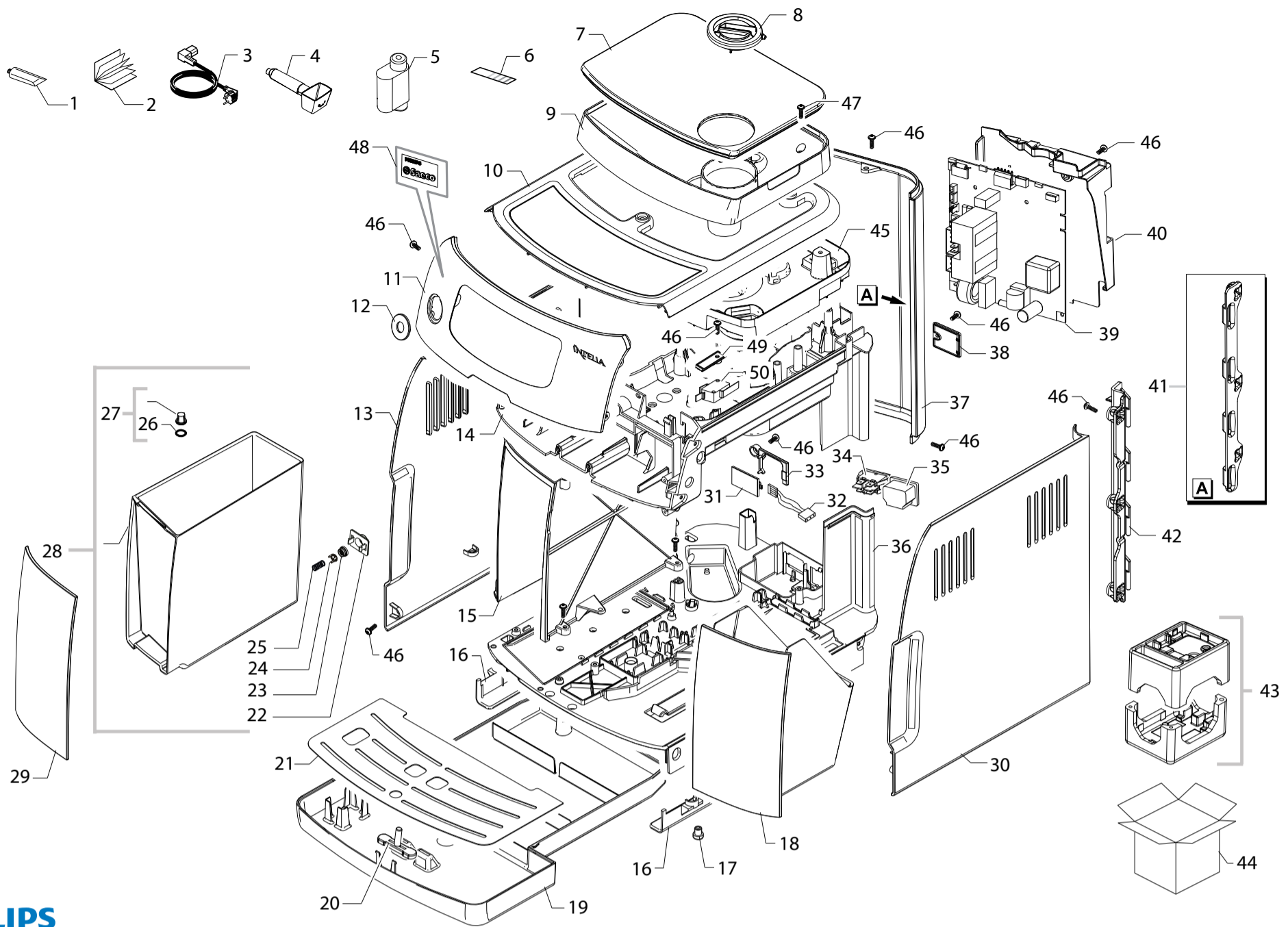
Exploded View

Contents

Table

External / Electronical components	1/5
Front panel / User interface	2/5
Water system	3/5
Coffee grinder assembly	4/5
Gear motor / Brewing unit	5/5

All rights reserved. No part of this publication may be reproduced, stored in a retrieval system or transmitted, in any form or by any means, electronic, mechanical, photocopying, or otherwise without the prior permission of Saeco.



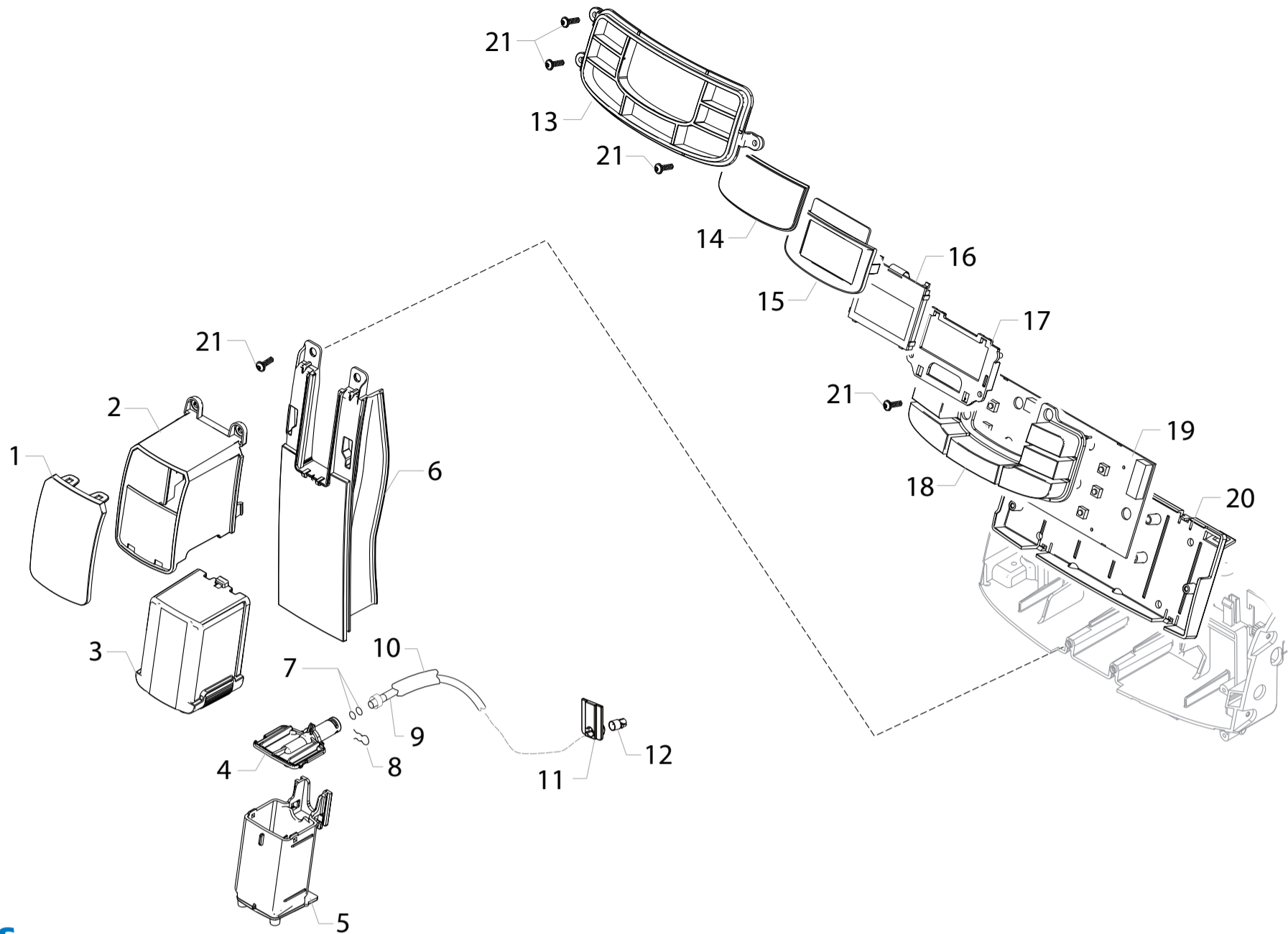
PHILIPS

Saeco Type HD8751 / HD8752



Cod.10003844-45-46
Cod.10003849-60-61

POS	CODE	DESCRIPTION	NOTE	POS	CODE	DESCRIPTION	NOTE
01	11005044	SAECO KLUBER TRIBOSTAR SIL 2 TUBE 5GR.		15	17001114	BLACK CASING BOTTOM INSERT NPR	FOCUS - CLASS BLACK
02	15002930	MANUAL PSA HD8752 NPR/H IT			11027799	GREY CASING BOTTOM INSERT NPR	CLASS BLACK - SILVER
	15002931	MANUAL PSA HD8752 NPR/H GB		16	17001110	BLACK DRIP TRAY GUIDE NPR	
	15002932	MANUAL PSA HD8752 NPR/H DE		17	147622800	TRANSPARENT SILICONE FOOT	
	15002933	MANUAL PSA HD8752 NPR/H FR		18	11026472	SILVER DUMP BOX NPR/H-P	CLASS
	15002934	MANUAL PSA HD8752 NPR/H ES			17001136	BLACK DUMP BOX NPR/H-P	FOCUS
	15002935	MANUAL PSA HD8752 NPR/H PT		19	17001105	BLACK DRIP TRAY NPR/H-P	
	15002936	MANUAL PSA HD8752 NPR/H NL		20	11013184	RED FLOAT FOR DRIP TRAY XSM	
	15002937	MANUAL PSA HD8752 NPR/H SV		21	11027821	SS GRATE FOR DRIP TRAY NPR/H	
	15002938	MANUAL PSA HD8752 NPR/H NO		22	11001298	BLACK LID FOR DUCKBILL VALVE P0049	
	15002876	MANUAL PSA HD8751 NPR/P IT		23	11003671	TRANSP. VALVE FOR WATER CONTAINER P0049	
	15002877	MANUAL PSA HD8751 NPR/P GB		24	11003673	GREY WATER CONTAINER VALVE INSERT P0049	
	15002878	MANUAL PSA HD8751 NPR/P DE		25	11003672	SS SPRING FOR WATER CONTAIN. VALVE P0049	
	15002879	MANUAL PSA HD8751 NPR/P FR		26	140328461	EPDM OR METRIC 0190-10	
	15002880	MANUAL PSA HD8751 NPR/P ES		27	224640200	WHITE WATER CONTAINER EXT. FILTER ASSY.	
	15002881	MANUAL PSA HD8751 NPR/P PT		28	11026289	NAT/GREY WATER CONTAINER NPR ASSY.	
	15002882	MANUAL PSA HD8751 NPR/P NL		29	11026473	SILVER WATER TANK FRONT COVER NPR	CLASS
	15002883	MANUAL PSA HD8751 NPR/P GR			17001120	BLACK WATER TANK FRONT COVER NPR	FOCUS
	15002884	MANUAL PSA HD8751 NPR/P DA		30	17001330	BLACK RIGHT SIDE DOOR NPR	
	15002885	MANUAL PSA HD8751 NPR/P SV		31	11003232	AS.CPU+SW WATER CONTAINER SENSOR	
	15002886	MANUAL PSA HD8751 NPR/P FI		32	17800165	3POLES CONNECTOR WATER LEVEL CLP UL	
	15002887	MANUAL PSA HD8751 NPR/P NO		33	17001179	BLK CAPACIT. SENSOR LOCKING INSERT NPR	
	15002939	MANUAL PSA HD8752 NPR/H FI		34	NE03.038	BIPOLAR SWITCH FUSIT C1250AR	
	15002940	MANUAL PSA HD8752 NPR/H DA		35	12000280	CUP SOCKET EN 60320 C 13	
	15002941	MANUAL PSA HD8752 NPR/H GR		36	17001094	BLACK CASING BOTTOM NPR	
03	183911050	BLACK POWER CABLE SCHUKO L=1200		37	17001240	BLACK REAR CASING NPR	
	183940650	BLACK POWER CABLE AUSTRALIA L=1200		38	17001484	BLACK REAR CASING PROGRAM. INSERT NPR	
	183930650	POWER CABLE CH BLACK 3X1 H05VV-F L=1200		39	11026009	AS.CPU+SW NPR/H-P	230V
04	146680850	BLACK COFFEE MEASURE SMART		40	11012301	BLACK PWR/CPU BOARD PROTECTION P0057	
05	21001404	ACC SAE BRITA UNI.WAT.FILTERX1 EUR-ASIA		41	11012714	BLACK HINGE FOR REAR CASING XSM	
06	0301.961	STICKER FOR WATER HARDNESS TEST		42	11012713	BLACK HINGE FOR DOOR RIGHT SIDE XSM	
07	17001245	NAT/GREY BEAN COFFEE CONTAIN.LID NPR/H-T	CLASS	43	20007020	KIT PS-E INSERT FOR BOX NPR/H-P	
	17001470	NAT/GREY BEAN COFFEE CONTAINER LID NPR/P	FOCUS	44	13001354	DISPLAY BOX NRP/H PSA INTELIA CLASS CEE	
08	17001244	NAT/GREY GROUND COFFEE HOPPER LID NPR			13001353	DISPLAY BOX NRP/H PSA INTELIA CLASS WE	
09	17001234	NAT/GREY BEAN COFFEE CONTAINER NPR			13001339	DISPLAY BOX NRP/P PSA INTELIA FOCUS WE	
10	20007023	SPARES KIT SS/BLK UPPER CASING COV. NPR/H	CLASS		13001350	DISPLAY BOX NRP/P PSA INTELIA FOCUS CEE	
	17001287	BLACK UPPER CASING COVER NPR/P	FOCUS	45	17001217	COFFEE GRINDER SOUNDPROOFING COVER NPR	
11	11026478	SILVER FRONT PANEL S/SCR. NPR/H-P	CLASS	46	12000450	SCREW TCB TORX 10 3,5X12 PLAST. ZN-N	
	11026295	BLACK FRONT PANEL S/SCR. NPR/H-P	FOCUS	47	129914002	SCREW TCB TORX 10 3,5X16 PLAST. ZN-B	
12	11026290	CHROM.FRONT PANEL CAP NPR/H-P	CLASS	48	11025026	ADHES.SILVER PLATE LOGO PHILIPS-SAECO	
	11026768	BLACK FRONT PANEL CAP NPR/P	FOCUS	49	17000064	BLK CAPACIT.SENSOR DEADLOCK INSERT XSM	
13	17001299	BLACK LEFT SIDE CASING NPR		50	NE05.013	MICROSWITCH SAI XGK52-81-J23	
14	17001117	BLACK COFFEE GRINDER SUPP.PLATE NPR/H-P					



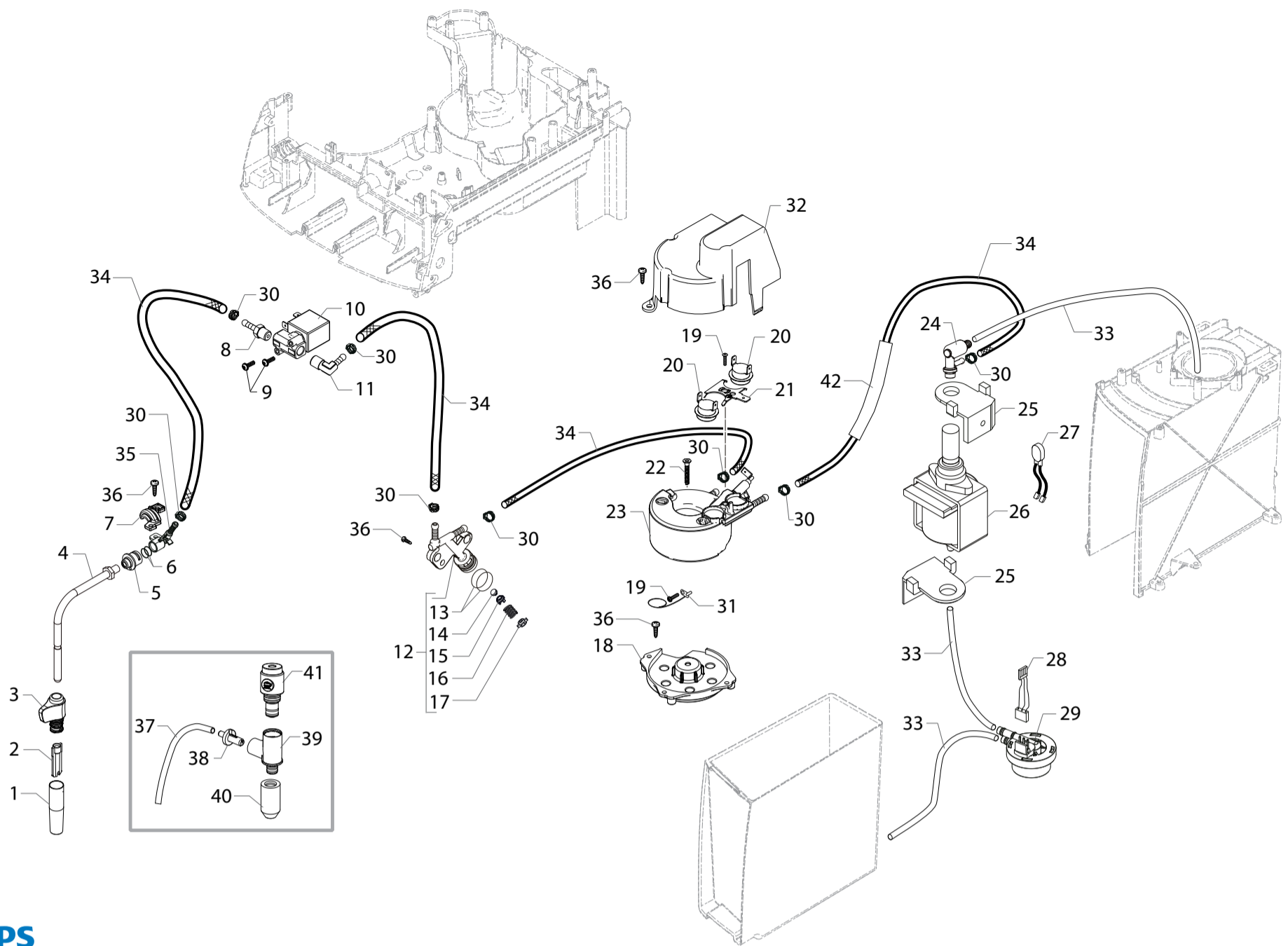
PHILIPS

Saeco Type HD8751 / HD8752


Cod.10003844-45-46

Cod.10003849-60-61

POS	CODE	DESCRIPTION	NOTE	POS	CODE	DESCRIPTION	NOTE
01	11026471	SILVER COF.DISPENSER FRONT PLATE NPR/H-P	CLASS				
	17001236	BLK COFFEE DISPENSER FRONT PLATE NPR/H-P	FOCUS				
02	17001239	BLACK COFFEE DISPENSER LID NPR					
03	17001242	BLACK COFFEE DISPENSER MOBILE PART NPR					
04	17001246	BLACK COFFEE DISPENSER BODY LID NPR					
05	17001237	BLACK COFFEE DISPENSER BODY NPR					
06	11026470	SILVER FRONT CASING COVER NPR	CLASS				
	17001277	BLACK FRONT CASING COVER NPR	FOCUS				
07	140328059	OR 2015 IN SILICONE PTFE/FDA					
08	9011.144	SS FORK FOR TUBE D=4					
09	11004132	TEFLON TUBE 2X4 L=250 MM ASSY.					
10	149361200	BLACK SILICONE TUBE 7,5X9,3	IN ROLL				
11	11005100	PLATE FOR 4X2 TEFLON TUBE P124					
12	11005101	BUSH FOR 4X2 TEFLON TUBE P124					
13	11026781	CHROM.TOUCH PANEL FRAME NPR/H-P	CLASS				
	11026294	SILVER TOUCH PANEL FRAME NPR/H-P	FOCUS				
14	17001112	TRANSP.GLASS FOR DISPLAY NPR					
15	17001111	BLACK DISPLAY FRAME NPR					
16	12001630	GRAPHIC DISPLAY CMG122647Z01ZTW NPR					
17	17001100	BLACK DISPLAY SUPPORT NPR					
18	11026476	SILVER 6BUTTONS TOUCH PANEL S/SCR.NPR/H	CLASS				
	11026293	SILVER 6BUTTONS TOUCH PANEL S/SCR.NPR/P	FOCUS				
19	11025830	KYB - INTERFACE NPR/H-T	CLASS				
	11025833	KYB - INTERFACE NPR/P	FOCUS				
20	17001096	BLACK KEYBOARD SUPPORT NPR					
21	12000450	SCREW TCBR TORX 10 3,5X12 PLAST.ZN-N					



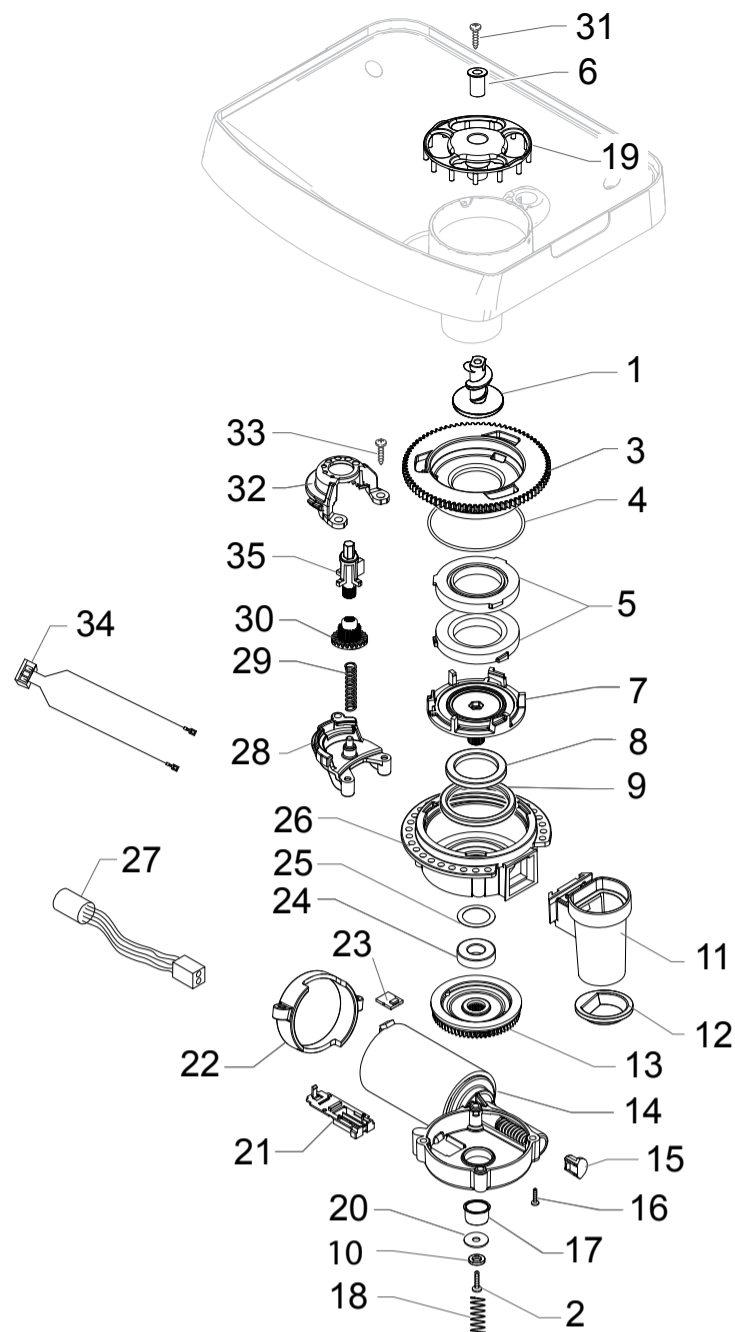
PHILIPS

Saeco Type HD8751 / HD8752


Cod.10003844-45-46

Cod.10003849-60-61

POS	CODE	DESCRIPTION	NOTE	POS	CODE	DESCRIPTION	NOTE
01	11011504	TF/CHROM.PANNARELLO COVER P0049	CLASS	41	11026707	BLACK STEAM TUBE HANDGRIP S/SCR.NPR/H	CLASS
	11001769	BLACK PANNARELLO COVER P0049	FOCUS	42	16000540	TRANSPAR.10,5X12,3 SILICONE TUBE	IN ROLL
02	11001620	BLACK PANNARELLO INNER TUBE P0049			11026286	HP/SLIM TUB.BOILER STD 1900W 230V ASSY. WITH PART.N°19 - 20 - 21 - 23 - 31	COMPLETE
03	11007194	BLACK STEAM TUBE HANDGRIP G0053					
04	11027861	TF/CHROM.STEAM TUBE D5,4 NPR ASSY.					
05	11011127	BLACK PA6 BUSH FOR STEAM TUBE P0057					
06	140324461	OR ORM 0060-20 IN TERMOIL					
07	11013894	BLACK FORK FOR STEAM TUBE GXSM					
08	11006304	TEA/BRASS CONNECTOR FOR ALUM.BOILER					
09	129913202	SCREW TCB TORX 10 3X8 PLAST.ZN-B					
10	11024038	BRASS 2WAY EV 21JN1RRV20-XT+LBV05024CU					
11	11024469	L-F/BRASS CONNECTOR FOR BOILER AURA					
12	17000114	FLOW SELECTOR FAUCET XSMC					
13	12000893	BLACK OR METRIC 0120-20 IN EPDM					
14	11008104	MUSHROOM VALVE FOR FLOW SELECTOR P0057					
15	11008105	FLOW SELECTOR VALVE SUPPORT P0057					
16	11008077	STEEL FLOW SELECTOR VALVE SPRING P0057					
17	11008106	FLOW SELECTOR VALVE CAP P0057					
18	11022791	BLACK SLIM/EXSL TUB.BOILER SUPPORT					
19	129573202	SCREW TCB TORX 20 M4X8 AUTOFORMING ZN-B					
20	12001033	THERMOSTAT ONE SHOT 190°					
21	11001751	TUB.BOILER V3 UPPER THERMOSTATES SPRING					
22	12001280	SCREW TSP TORX 10 5X20 PLAST.ZN-B					
23	17000346	HP/SLIM TUB.BOILER ASSY.	230V-1900W				
24	11004689	TEA/BRASS SAFETY VALVE 16-18 BAR ASSY.					
25	149205850	BLACK PUMP SUPPORT TYPE ULKA					
26	12000140	ULKA PUMP EP5/S GW	230V-50HZ				
27	17800230	2POLES CONNECTOR PUMP CLP UL					
28	17800229	3POLES CONNECTOR FLOWMETER CLP UL					
29	NV99.099	TURBINE D=1,2 932-8521/00 ASSY.					
30	12000892	OETIKER CLAMP D=9,5 16700004					
31	190800100	TEMPERATURE SENSOR NTC UL L=280MM					
32	17001440	BLK BOILER INSULATING COVER NPR					
33	JS01.022	SILICONE TUBE 5X10 60SH	IN ROLL				
34	16000380	5X8,9 SILICONE TUBE	IN ROLL				
35	11005757	STEAM TUBE SUPPORT P0057					
36	12000450	SCREW TCB TORX 10 3,5X12 PLAST.ZN-N					
37	229363500	SILICONE TUBE 3,5X6 L=400 MM					
38	17001459	BLACK CAPPUCC.MILK TUBE CONNECTOR NPR/H	CLASS				
39	20007021	SPARES KIT SS/BLK CAPP.LOWER PART NPR/H	CLASS COMPLETE				
40	20007022	SPARES KIT SS/BLK CAPP.UPPER PART NPR/H	CLASS COMPLETE				



PHILIPS

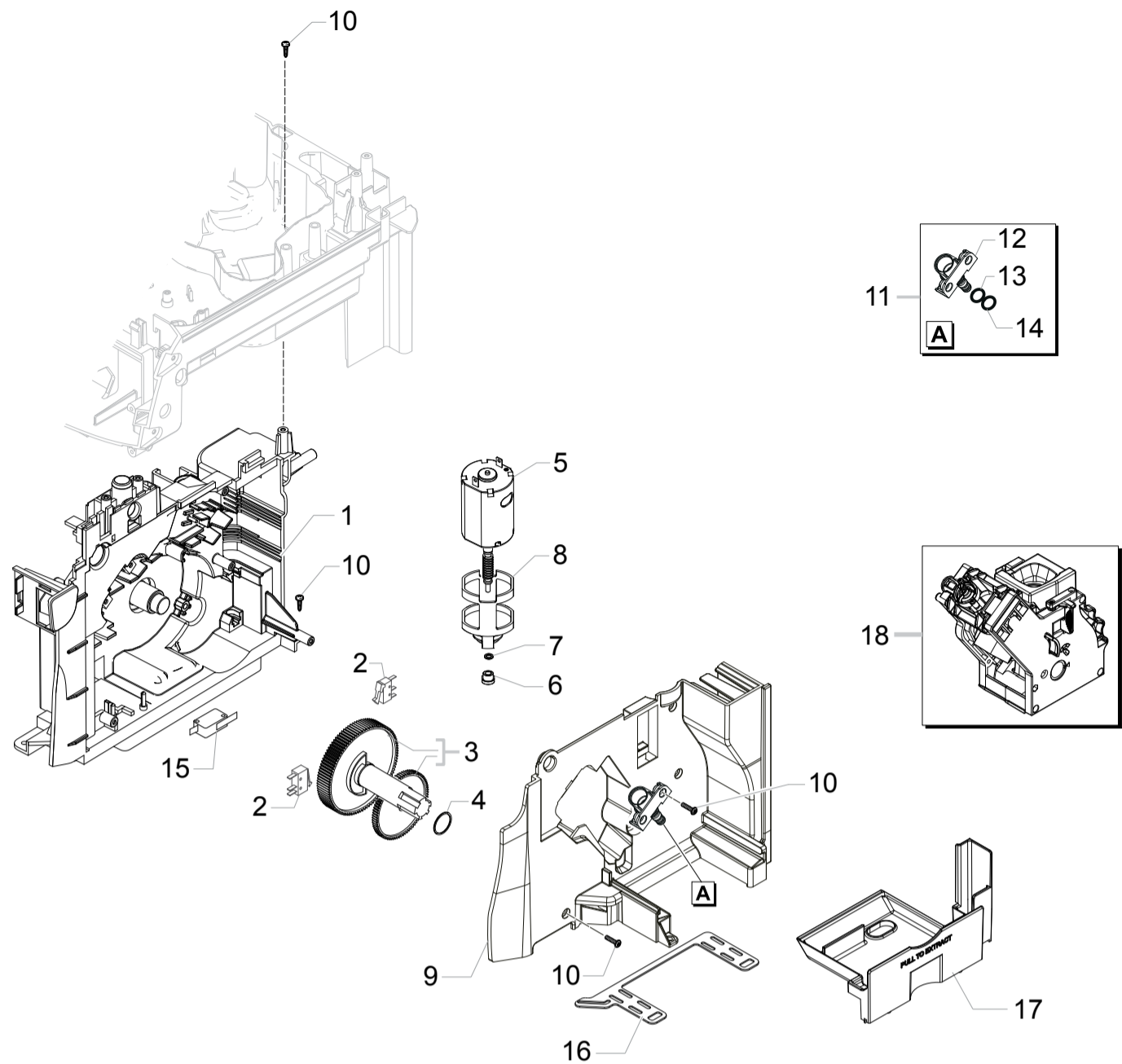
Saeco Type HD8751 / HD8752



Cod.10003844-45-46

Cod.10003849-60-61

POS	CODE	DESCRIPTION	NOTE	POS	CODE	DESCRIPTION	NOTE
01	11010031	TEA/ZAMA INCREASE SCREW GRINDER					
02	129574802	SCREW TCB TORX 20 M4X30 ZN-B					
03	149198250	BLK UPPER COFFEEGRINDER GRINDER SUPPORT					
04	140328960	NBR FDA OR METRIC 0530-15					
05	146520100	BAKED CLAY GRINDER 48X28					
06	11012466	BRASS BUSH BEAN CONT.FINGER PROTEC.P0057					
07	149198350	BLK LOWER COFFEEGRINDER GRINDER SUPPORT					
08	123030300	AXIAL BEARING EKKO 342.35252					
09	140360500	FELT RING 45,4X39,4X4					
10	128310402	GALV.WASHER UNI 8842 A4					
11	11026355	BLK GROUND COFF.OUTLET CONVEYOR V4ASSY.					
12	145854462	BLK GROUND COFFEE CONT.LOWER SEAL SMART1					
13	226000300	GEAR SX Z=38 FOR GRINDER MOTION ASSY.					
14	11000513	MOTOR COFFEEGRINDER V3.1 ASSY.	230V				
15	149214800	MC V3 MOD=1,25 WORM SCREW CENTRING CAP					
16	129661702	SCREW TCB TORX 3,5X30 PLAST.ZN-B					
17	11002873	INSULATOR BUSH FOR GRINDER MOTOR P124					
18	11000597	COFFEE GRINDER SUPPORT SPRING P124					
19	11014285	BLK V2 BEAN CONTAIN.FINGER PROTECT.P0057					
20	128381902	STEEL FLAT WASHER DI=4,3 DE=14 SP=1,5					
21	149199050	BLK SENSOR SUPPORT FOR COF.GRINDER MOTOR					
22	11000194	BLACK COFFEEGRINDER MOTOR SUPPORT P124					
23	181540900	ELECTR.BOARD WITH SENSOR HAL506 SF-K					
24	123030200	RADIAL BEARING 61900.2RS1					
25	128381800	STEEL CRINKLE WASHER 21,8X14X0,25					
26	142905450	BLK UPPER BODY WITH COFFEE GROUND OUTLET					
27	17800302	3POLES CONNECTOR MC SENSOR NPR UL					
28	11002613	LOWER COFFEEGRINDER GEAR SUPPORT P124					
29	11002572	COFFEEGRINDER REGULATION SPRING P124					
30	11003784	COFFEE GRINDING ADJUSTMENT GEAR P0049					
31	U043.004	ZN-B TCB SCREW M4X16					
32	11002508	UPPER COFFEEGRINDER GEAR SUPPORT P124					
33	129914002	SCREW TCB TORX 10 3,5X16 PLAST.ZN-B					
34	17800301	2POLES CONNET.COFFEEGRINDER MOTOR NPR UL					
35	11003446	BLACK BEAN COFFEE GRINDER INSERT P0049					
	11026298	GEN.MOTOR COFFEE GRINDER NPR ASSY.	230V				



PHILIPS

Saeco Type HD8751 / HD8752


Cod.10003844-45-46

Cod.10003849-60-61

POS	CODE	DESCRIPTION	NOTE	POS	CODE	DESCRIPTION	NOTE
01	17000366	BLK RATIOMOTOR MOUNTING PLATE XSMCASSY.					
02	NE05.038	MICROSWITCH					
03	20000900	SPARES KIT GEARS FOR RATIOMOTOR V2					
04	9161.132	MYLAR WASHER FOR RATIOMOTOR					
05	11003037	MOTOR FOR RATIOMOTOR ASSY.					
06	9121.046	BRONZE SINTERED BUSH FOR MOTOR RATIOMOT.					
07	148380200	BAKELIZZATE WASHER D=5,5					
08	9121.044	ANTIVIBRATION FOR MOTOR					
09	11003754	BLK RATIOMOT.MOUNTING PLATE COVER P0057					
10	12000450	SCREW TCBR TORX 10 3,5X12 PLAST.ZN-N					
11	11013531	PIN FOR FLOW SELECTOR FAUCET P0057 ASSY.					
12	11013530	PIN FOR FLOW SELECTOR FAUCET V2 P0057					
13	NM01.035	OR ORM 0090-20 SILICONE					
14	NM01.057	OR ORM 0050-20 IN SILICONE					
15	NE05.013	MICROSWITCH SAIA XGK52-81-J23					
16	11013205	BLACK SEAL FOR RATIOMOTOR PLATE XSM					
17	17001336	GREY BREW UNIT DRAWER COFFEE NPR					
18	11012382	BLACK BREW UNIT 8GR.5BAR P0057 SEE EXPL.CODE E90067					