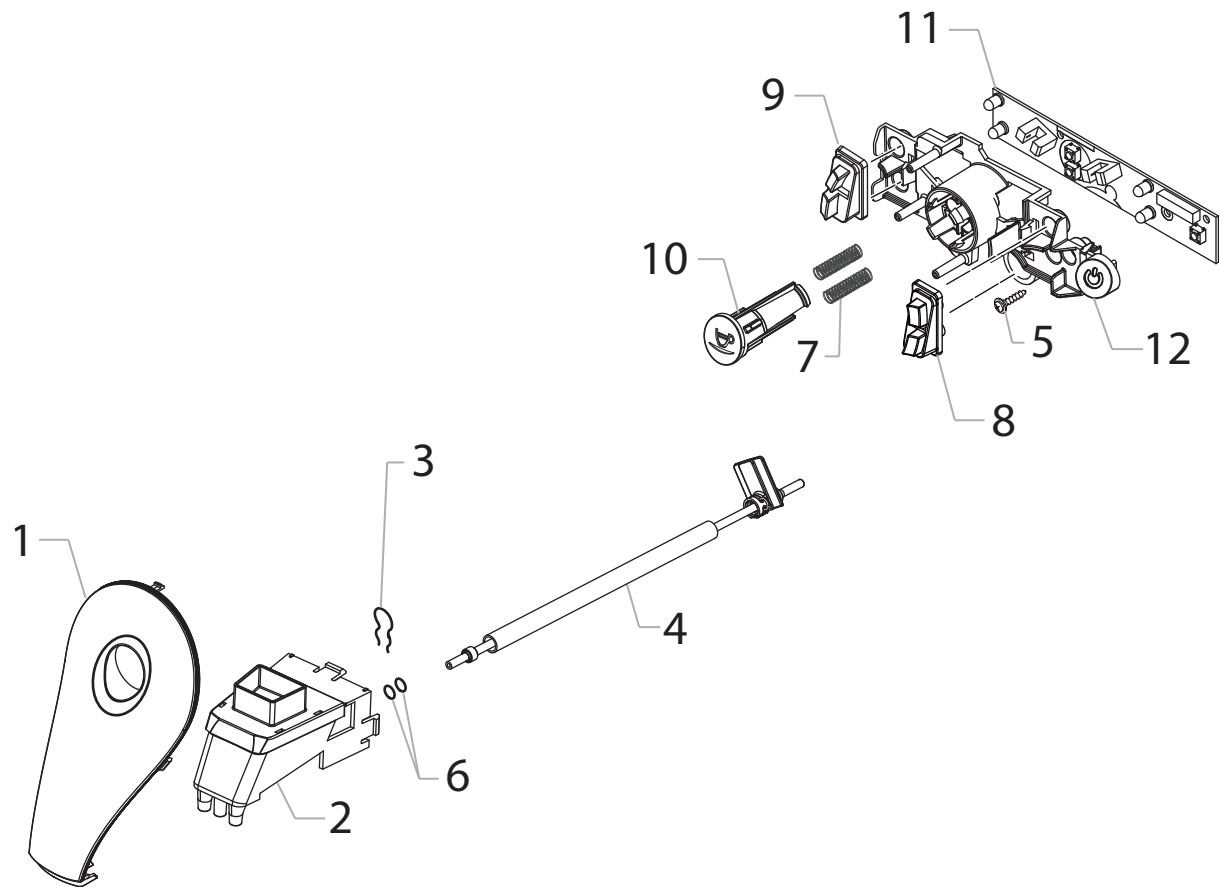


E74200**HD8642, HD8643, HD8650**

Pos	Article-Nr.	Description
1	421941306661	AS.CPU+SW XS4 230V
1	421941307201	CPU+SW XS4 PHILIPS ASSY.
2	12001728	VITE TCBR 3,5X12 PLAST.INOX
3	11004139	CERNIERA SPORT.P0057 NER.
4	421946001591	CAVO AL.SCH.3X075 H05VV-F NER.L=800
5	11003785	CHIAVE REG.MACIN.CAF.P0049 NER.
6	11014306	COP.ANT.CONT.ACQ.P0057 NER.
7	11006058	AS.CONT.ACQ.P0057 GRI/NAT.
8	224640200	AS.FILTRO EST.CONT.ACQ.BIA.
9	140328461	OR ORM 0190-10 EPDM
10	11003672	MOLLA CILINDR.VALV.CONT.ACQ.P0049 INOX
11	11003673	INS.VALV.CONT.ACQ.P0049 GRI.
12	11003671	VALV.CONT.ACQ.P0049 TRASP.
13	11001298	COP.VALV.DUCKBILL P0049 NER.
14	421944033171	COP.SUP.CARC.XS4/A BK SER.
14	421944035941	COP.SUP.CARC.XS4/A PHI NER.SER.
15	17000064	INS.BLOCCAG.SENS.CAPACITIVO XSM NER.
16	11005128	FLAT CABLE 16P.CPU-INTERF.UTENTE P0057
17	421941306721	AS.CPU+SW SENS.ACQ. V3
18	421944026341	COP.LAT.SX P0057 INK
19	421944028181	SCAT.LIT.SAE XSMALL PURO/VAP.
19	421944036221	SCAT.LIT.PHI XSMALL PURO
20	129913202	VITE TCB 3X8 PLAST.ZN-B
21	11013709	AS.CONN.3P.LIVELLO ACQ.XSM UL
22	421944023221	GRIGLIA VASCA REC.ACQ.XS4 INOX
23	421944032571	GALLEG.VASCA REC.ACQ.XS4 NER/ROS.
24	421944033791	VASCA REC.ACQ.XS4 NER.
25	421944035851	COP.CONT.CAF.GRA.P0057 V2 GRI/NAT.
25	421944026451	COP.CONT.CAF.GRA.P0057 TRASP.
26	12000450	VITE TCBR 3,5X12 PLAST.ZN-N
27	128382002	ROND.PIANA DI=3,7 DE=11 SP=0,8 ZINC
28	12001890	MICROINT.XG/V3D
29	20006888	KIT INSERTI SCATOLA P0057 PS-E TYPE A
30	12001883	PRESA A VASCH.C/SMUSSI V3 EN 60320 C 13
31	11014308	CAS.FONDI P0057 NER.
32	147622800	PIEDINO PIANETA CAFFE' SILIC.TRASP.
33	421944026331	SPORT.P0057 INK
34	421946017321	LIB.IST.HD8650 XS4/A PHI IT
34	421946017341	LIB.IST.HD8650 XS4/A PHI DE
34	421946017361	LIB.IST.HD8650 XS4/A PHI FR
34	421946018041	LIB.IST.HD8650 XS4/A PHI NL

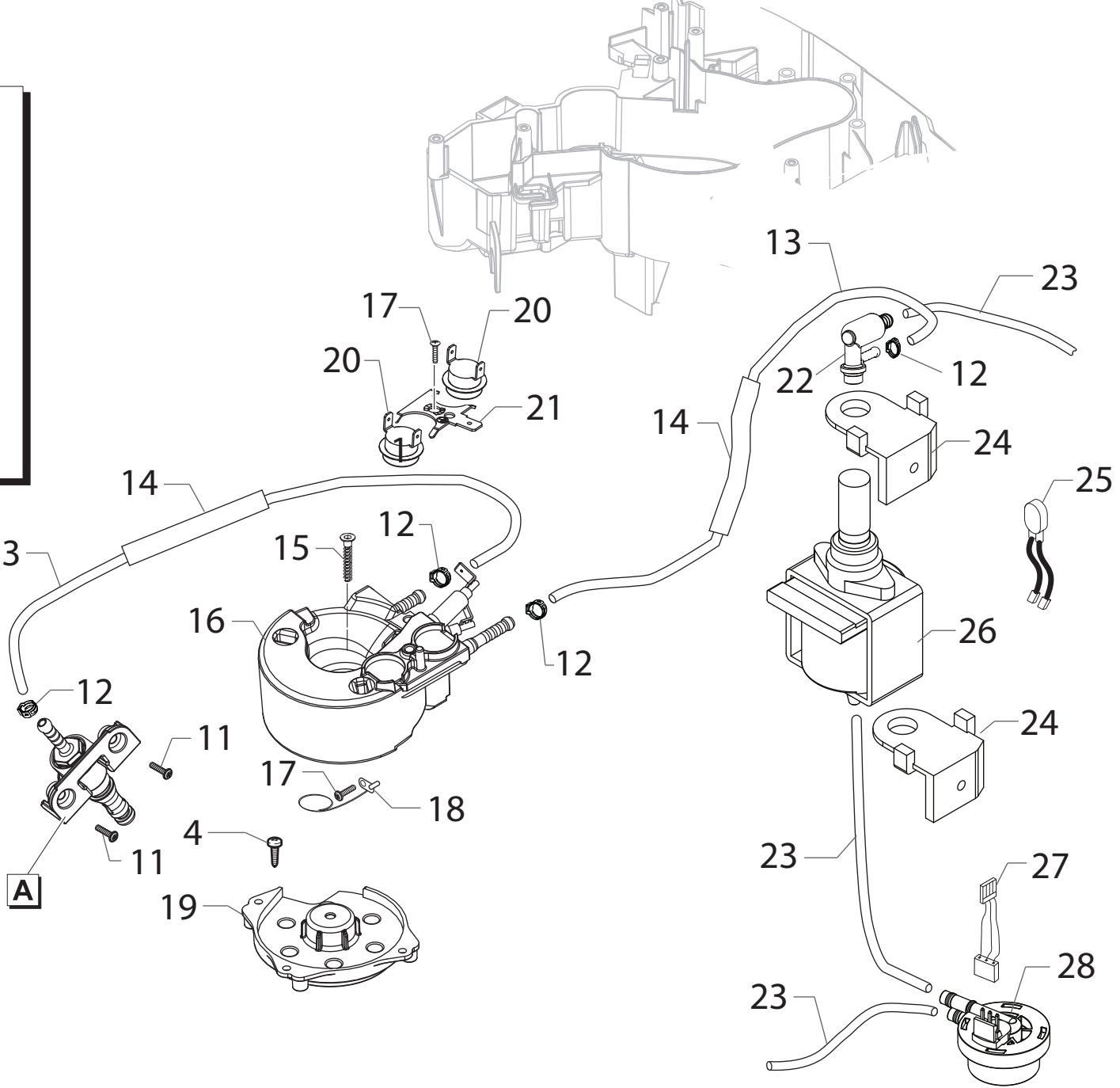
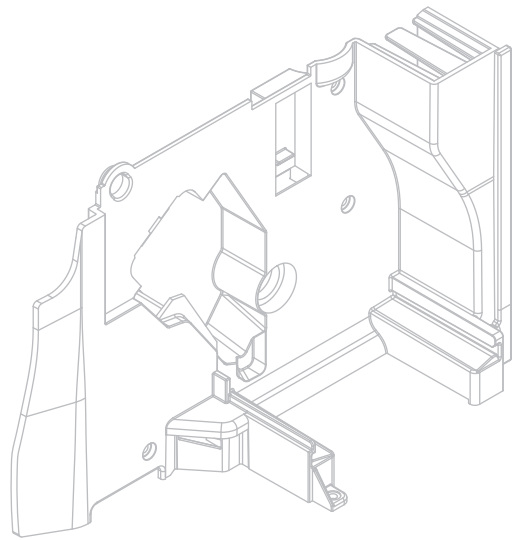
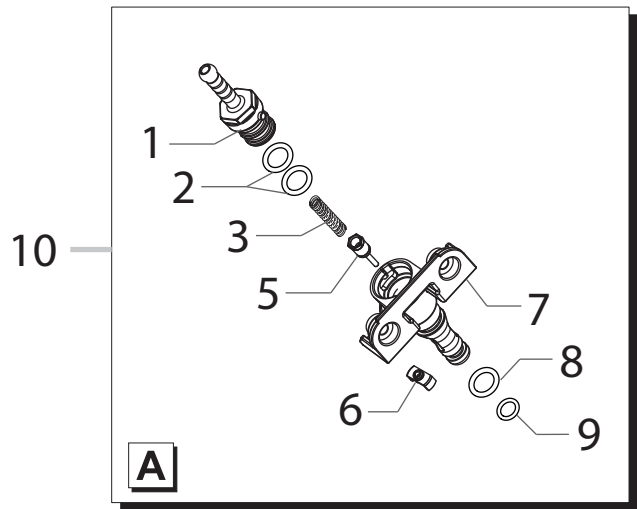
Pos	Article-Nr.	Description
-----	-------------	-------------



E74200**HD8642, HD8643, HD8650**

Pos	Article-Nr.	Description
1	421944033991	COP.POM.COMANDI XS4/A NER.D/SER.
2	11011280	AS.EROG.CAF.SALD.P0057 NER.
3	9011.144	FORCELLA X TUBO D=4 INOX
4	11031203	AS.TUB.TEFL.2X4 L=235+PIAS+2BOC.13/7 NPR
5	12000450	VITE TCBR 3,5X12 PLAST.ZN-N
6	140328059	OR 2015 SILICONE PTFE/FDA
7	11008956	MOLLA SERRATURA SPORT.G0053 INOX
8	11013012	GUIDA LUCE DX P0057 PMMA TRASP.
9	11014222	GUIDA LUCE SX V2 P0057 TRASP.
10	421944033831	TASTO CAF.XS4/A NER.SER.
11	421941306651	SCHEDA KYB XS4/A
12	421944026031	TASTIERA COM.XS4 TRASP.SER.

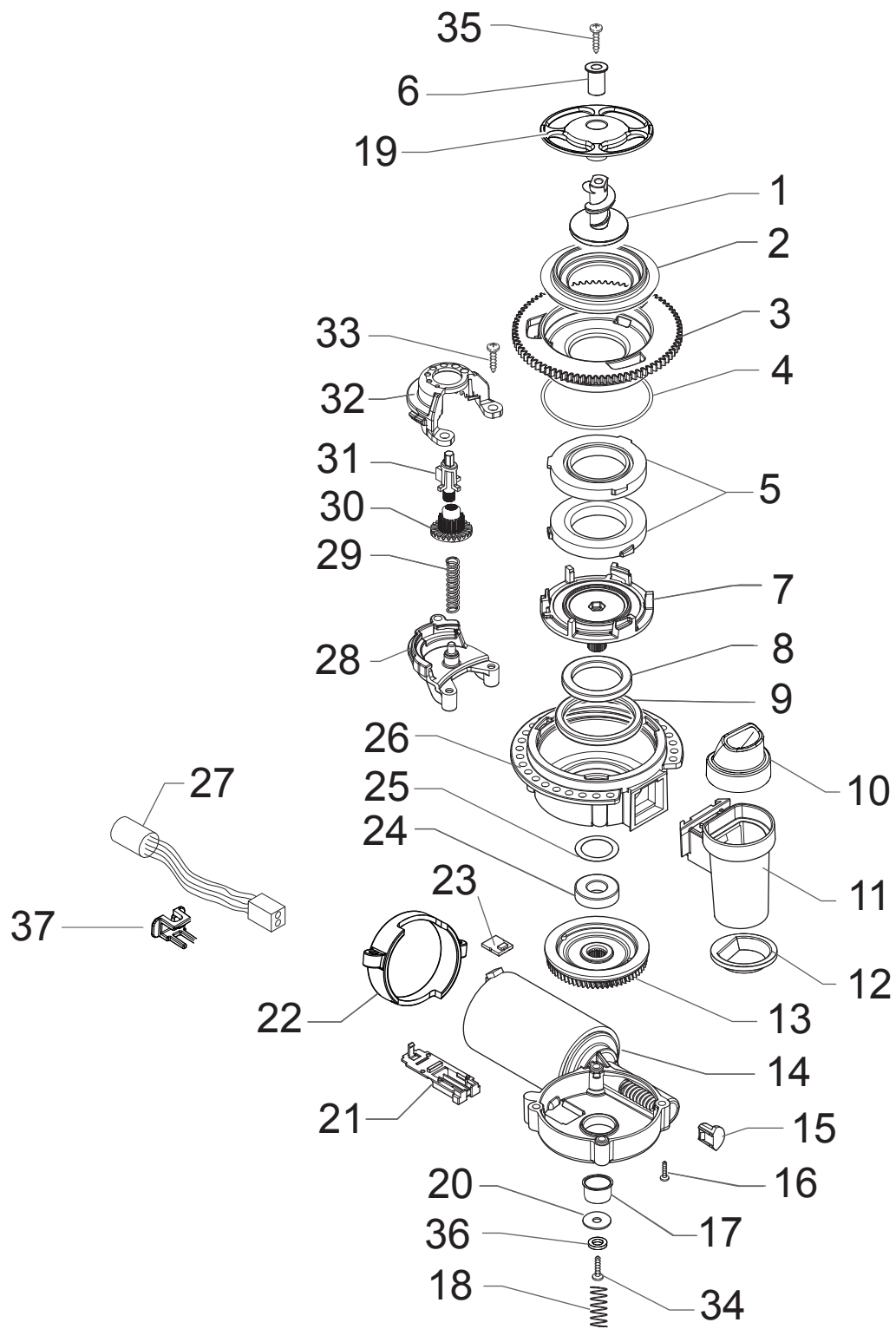
Pos	Article-Nr.	Description
-----	-------------	-------------



E74200**HD8642, HD8643, HD8650**

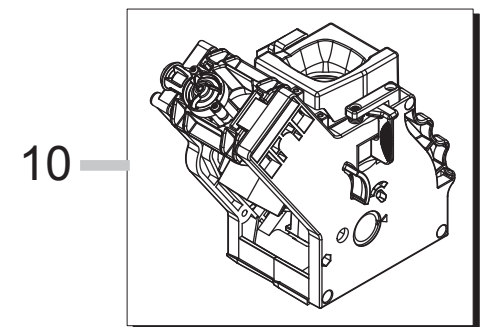
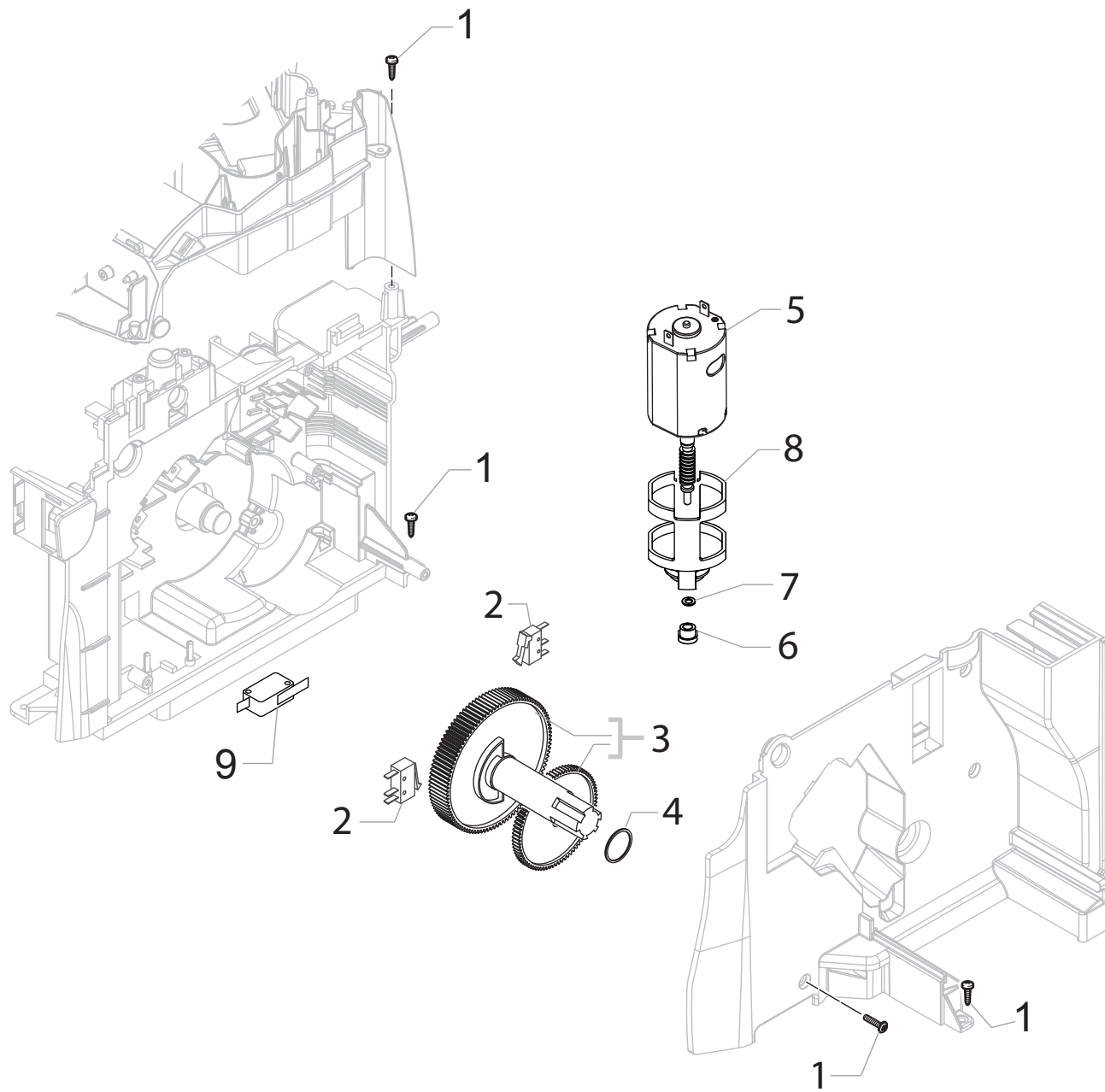
Pos	Article-Nr.	Description
1	421944022891	RAC.PERNO RUB.REG.FLUS.ACQ/VAP.XS4
2	140320762	OR 108 SILICONE
3	9011.132	MOLLA PISTONCINO INOX
4	12000450	VITE TCBR 3,5X12 PLAST.ZN-N
5	11009019	AS.PISTONCINO C/GOLA L=20,9 OT/TEA
6	11005099	CURSORE CALD.V2 P119 PEEK NAT.
7	421944022881	PERNO RUB.REG.FLUS.ACQ/VAP.XS4 NEU.
8	NM01.035	OR ORM 0090-20 SILICONE
9	NM01.057	OR ORM 0050-20 SILICONE
10	421944022901	AS.PERNO RUB.REG.FLUS.ACQ/VAP.XS4
11	12001728	VITE TCBR 3,5X12 PLAST.INOX
12	12000892	FASCETTA OETIKER D=9,5 16700004
13	16000380	TUBO SIL.RETIN.5X8,9 MATASSA
14	16000540	TUBO SILICONE 11X12,8 TRASP.IN MATASSA
15	12001280	VITE TSP 5X20 PLAST.ZN-B
16	421944024121	AS.CALD.TUB.XS4 1300W 230V
17	12001715	VITE TCB M4X8 AUTOFORM.S/TEST.DENT.ZN-B
18	190800100	SENSORE TEMPERATURA NTC UL L=280MM
19	11022791	SUPP.CALD.TUB.SLIM/EXSL NER.
20	12001033	TERMOSTATO ONE SHOT 190°
21	11001751	MOLLA FERM.TERMOS.SUP.CALD.TUB.V3 ACC.
22	11004689	AS.VALV.SIC.16-18 BAR OT/TEA
23	JS01.022	TUBO SILICONE 5X10 60SH IN MATASSA
24	149205850	SUPP.POMPA TYP ULKA C/SMUSSO NER.
25	11009747	AS.CONN.2P.POMPA P0057 UL
26	421941305991	POMPA ULKA EP5FMGW 230V-50HZ
27	11005948	AS.CONN.3P.TURBINA P0057
28	NV99.099	AS.TURBINA D=1,2 932-8521/00
100	421944025601	AS.GEN.CALD.TUB.XS4 1300W 230V

Pos	Article-Nr.	Description
-----	-------------	-------------



Pos	Article-Nr.	Description
1	11010031	VITE INCREMENTO CORTA MC ZAMA/TEA
2	145857062	GUARN.MC P119 SILIC.
3	421941094152	SUPP.SUP.MACINA MC V2 NER.
4	140328960	OR ORM 0530-15 NBR FDA
5	146520100	MACINA 48X28 IN CERAMICA
6	11012466	BOC.PROT.DITO CONT.CAF.GRA.P0057 OT.
7	149198350	SUPP.INF.MACINA MC V3 NER.
8	123030300	CUSCINETTO ASSIALE EKKO 342.35252
9	140360500	ANELLO DE=45,4 DI=39,4H=4 IN FELTRO
10	11006226	CONVOGL.CONDENSA GRUP.P0057 NER.
11	11026355	AS.CONVOGL.USCITA CAF.MAC.V4 SMART1 NER.
12	11030459	GUARN.INF.CONT.CAF.MAC.SMART1 GRI.
13	226000300	AS.INGR.SX Z=38 MOVIM.MACINA C/CALAMITA
14	11000513	AS.MOTORE MC V3.1 MOD=1,25 SX 230V
15	149214800	TAPPO CENTRAG.VITE S/FINE MOD=1,25 MC V3
16	129661702	VITE TCB 3,5X30 PLAST.ZN-B
17	11002873	BOC.ISOLANTE MOTORE MC P124 NER.
18	11000597	MOLLA SUPP.MOTORE MC P124 ACC.
19	11012237	PROT.DITO CONT.CAF.GRA.P0057 NER.
20	128381902	RONDEL.PIANA DI=4,3 DE=14 SP=1,5 ACC.
21	149199050	SUPP.SENS.TERMICO MOTORE MC NER.
22	11000194	SUPP.MOTORE MC P124 NER.
23	181540900	SCHEDA C/SENS.HAL 506 SF-K C/CONN.
24	123030200	CUSCINETTO RADIALE 61900.2RS1
25	128381800	RONDEL.BILANCIAMENTO 21,8X14X0,25 ACC.
26	142905450	CORPO SUP.C/USCITA CAF.MAC.MC NER.
27	11008871	AS.CONN.3P.SENSORE/MC S0053 UL
28	11002613	SUPP.INF.INGR.REG.MAC.P124 NER.
29	11002572	MOLLA REG.MC P124 ACC.
30	11003784	INGR.Z=14-24 REG.MAC.CAF.P0049 NER.
31	11003446	INS.REG.MACINAT.CAF.GRA.P0049 NER.
32	11002508	SUPP.SUP.INGR.REG.MAC.P124 NER.
33	129914002	VITE TCB 3,5X16 PLAST.ZN-B
34	129574802	VITE TCB M4X30 ZN-B
35	U043.004	VITE TCB TORX 20 M4X16 ZN-B
36	128310402	ROSETTA UNI 8842 A4 ZINC.
37	17001921	INS.FERMA CABL.SCHEDA MC NER.
100	11006059	AS.GEN.MOTORE MC STD P0057 230V

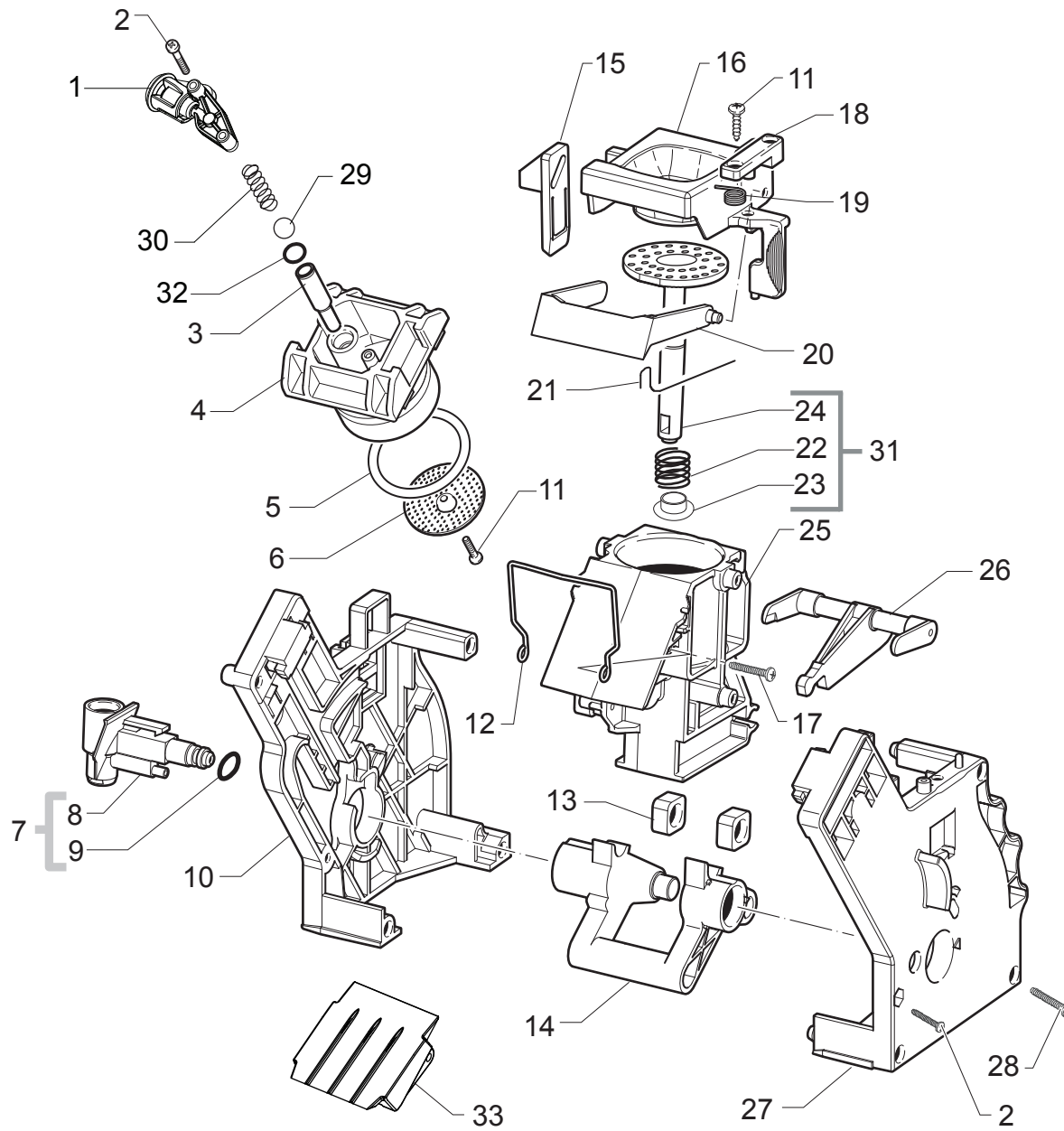
Pos	Article-Nr.	Description
-----	-------------	-------------



E74200**HD8642, HD8643, HD8650**

Pos	Article-Nr.	Description
1	12001728	VITE TCBR 3,5X12 PLAST.INOX
2	12001841	MICROINT.XC/SM1
3	20000900	KIT RIC.INGRANAGGI MOTORID.V2
4	9161.132	RONDELLA MOTORE MOTORID.MYLAR
5	11003037	AS.MOTORE MOTORID.C/COND.
6	9121.046	BOCC.SINTERIZ.MOTORE MOTORID.BRONZO
7	148380200	RONDELLA D=5,5 IN TELA BAKELIZZATA
8	9121.044	ANTIVIBRANTE X MOTORE
9	12001890	MICROINT.XG/V3D
10	421941300331	GRUP.CAF.8GR.8BAR SMR NER.

Pos	Article-Nr.	Description
-----	-------------	-------------



E74200**HD8642, HD8643, HD8650**

Pos	Article-Nr.	Description
1	11009362	AS.MANICOT.USCITA CAF.GRUP.S0053 NER.
2	12000550	VITE TCB 3X25 PLAST.INOX
3	11009276	TUBO CONTROPIST.GRUP.S0053 NER.
4	11001840	CONTROPIST.GRUP.8GR.P124 NER.
5	NM01.044	OR ORM 0320-40 SILICONE PTFE/FDA
6	9161.268	DOCCIA DE=35,8 ELFO
7	20000440	AS.MANICOT.ENTRATA ACQ.GRUP.NER.
8	9161.064.050	MANICOT.ENTRATA ACQ.GRUP.ROYAL NER.
9	NM02.007	OR 2025 TERMOIL
10	9161.375.050	PIAS.POS.GRUP.SMART NER.
11	12000895	VITE TSP 3X10 PLAST.INOX
12	11001556	MOLLA RASAT.H=49 GRUP.CAF.SMART INOX
13	9161.094.150	BLOC.FORATO GRUP.PA/GRI.
14	9161.066.050	ALBERO A GOMITO GRUP.M5000 NER.
15	9161.373.050	PIAS.AGGANC.GRUP.SMART NER.
16	149261350	TRAMOG.GRUP.SMART1 NER.
17	129912521	VITE TCBR 3,5X14 PLAST.INOX
18	9161.374.050	PIAS.FISS.TRAMOG.GRUP.SMART NER.
19	9161.378	MOLLA TRAMOG.GRUP.SMART INOX
20	11004161	RASATORE GRUP.M5000 NER.
21	9161.046	MOLLA RASATORE GRUP.INOX
22	9161.198	MOLLA PIST.GRUP.8GR.INOX
23	9161.191	BOC.PIST.GRUP.8GR.-12GR.BIA.
24	11003077	AS.PIST.INTEGR.GRUP.8GR.NER.
25	11003075	AS.CONT.CAF.C/BOC.SALD.GRUP.8G.P124 NER.
26	11003078	BIELLA GRUP.8GR.NER.
27	11005920	PIAS.ANT.GRUP.S/F.SMART NER.SER.NEW
28	12000897	VITE TCB TORX 3,5X20 PLAST.INOX
29	421944034451	SFERA D.5 MM IN BORO SILICATO
30	9161.222	MOLLA CONICA INOX
31	11023086	AS.GEN.PISTONE INTEGR.GRUP.CAF.8GR.NER.
32	140328761	OR ORM 0060-15 TERMOIL
33	17000737	SCIVOLO CONVOGL.GRUP.L=56,3 NER.
100	11031674	GRUP.CAF.8GR.8BAR V2 MDS/B NER.

Pos	Article-Nr.	Description
-----	-------------	-------------